

S350

EVO

Limited

S350 EVO II Limited INSTRUCTION MANUAL





INSTRUCTION

After the successful debut of the SWORKz S350 EVO II, we followed SWORKz concept to build on our successes with the EVO II and improve and ultimately create the S350 EVO II Limited.

The S350 EVO II limited edition is the ultimate SWORKz 1/8 S350 nitro buggy. Its new design rear suspension, front ackerman steering system, aluminum center BBD diff system provide all round improvements to the EVO II.

The S350 EVO II Limited includes higher quality parts, a refined shock system, more options, and optimized suspension geometry.

The SWORKz S350 EVO II Limited Pro Kit comes standard with many SWORKz Factory Team Option Parts which improve strength, performance, and value.

SWORKz utilizes only the highest quality materials and industry leading manufacturing processes resulting in a faster, stronger, and more reliable vehicle. The S350 EVO II Limited Pro Kit from SWORKz has been designed to out-perform the competition on any Off-Road terrain while offering amazing performance to drivers of all levels.

Congratulations on your purchase of the new SWORKz S350 EVO II Limited 1/8 scale off-road racing buggy pro kit.

Please read this manual thoroughly, before you attempt to start or drive your S350 EVO II Limited. This manual contains step-by-step instructions to help you complete, prepare for startup, and fine-tune your Buggy. Updates, setups, and product news will be posted on our website (www.sworkz.com) or SWORKz RC Face Book, so check often.

As always, if you should ever have any questions or need help with your S350 EVO II Limited, please feel free to contact our official SWORKz dealers and distributors, as they will be glad to help you. You may also contact us at any time for the most up to date information and support.

S350 EVO II Limited Kit Features:

1. S350 series BBD Competition Large Center Diff. system
2. S350 Series Competition Rear Lower Arm Set
3. S350 Series Competition Aluminum Rear Hub Carry
4. S350 Series Competition Steering Plate
5. S350 Series Competition Carbon Steering Knuckle Plate
6. S350T series Longer BBS Pro Shock System Set
7. S350 Series Front Pro Shock Tower for Longer BBS shocks
8. S350 Series New Wheel Hub(L4.5mm)
9. S35 Competition Aluminum Rear Changeable Lower Arm Holder
10. New LDGS (Lightened Drive Gear System) gear system with 5x11 mm ball bearings.
11. Full LDS (Lightened Drive System) cross drive shaft system.
12. Center LDS (Lightened Drive System) cross drive shaft system.
13. New front steering knuckles fit for LDS.
14. The aluminum PSP aluminum throttle linkage arm set is now standard.
15. Aluminum upper arm holder is now included.
16. S350 EVO series floating fuel filter system tank.
17. Standard with S350 professional metal brake calipers 2.0 set.



Specification	
Length:	530mm
Width:	308mm
Height:	220mm
Ground Clearance:	65mm
Wheelbase:	320-325mm
Track:	F:306mm / R:306mm
Gear Ratio:	C:46/13T, F/R 43/13T
Weight:	3300g



WARRANTY

Your SWORKz S350 EVO II Limited kit warranty covers workmanship and manufacturing defects of the original and unmodified parts. Warranty claims resulting from crashes, abuse, improper operation, improper mounting, improper adjustment or lack of maintenance will not be honored.

Contact your local hobby shop or SWORKz distributor for all claims and questions. Claims must be well documented. All Claims are subject to expert examination approval by SWORKz



INSTRUCTION	2
Warranty	3
Required Equipment for Operation	5
Explosion View with Spare Parts Number	6-14
Operation Guide	15
Assembly Steps	16-45
Set-up Sheet	46
Blank Set-up Sheet	47
S350 EVO II Limited Key No.List	48
S350 EVO II Limited Spare Part List	49
S350 EVO II Limited Option Part List	50
End cover	52

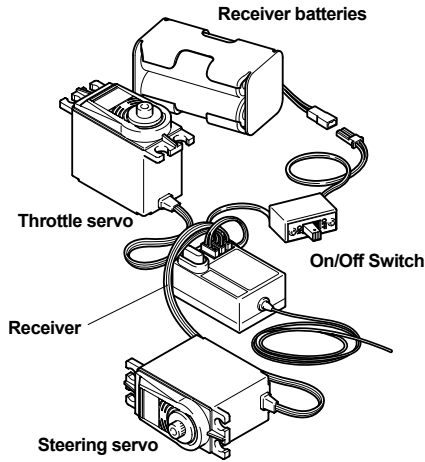
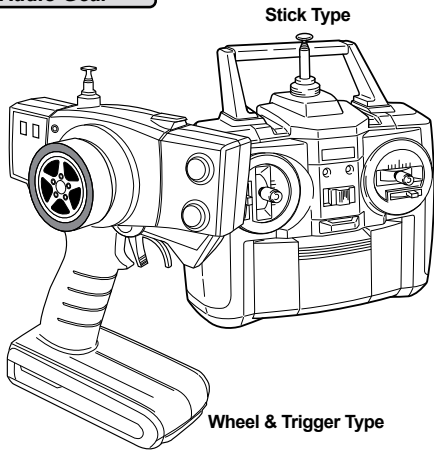


This radio controlled racing car is not a toy!

This high-performance R/C model is recommended for ages 14 and older.

Required Equipment for Operation

Radio Gear

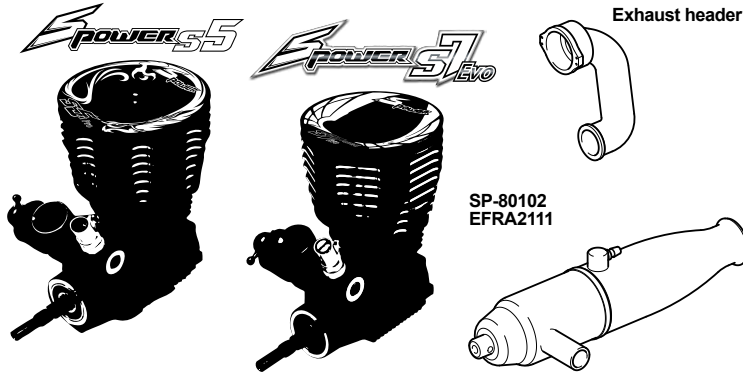


Nitro fuel

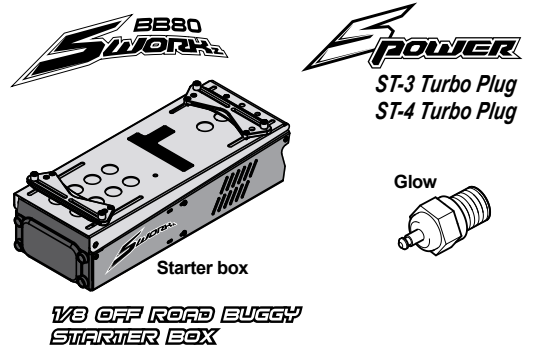
We recommend that you use fuel containing 20~25% nitro.



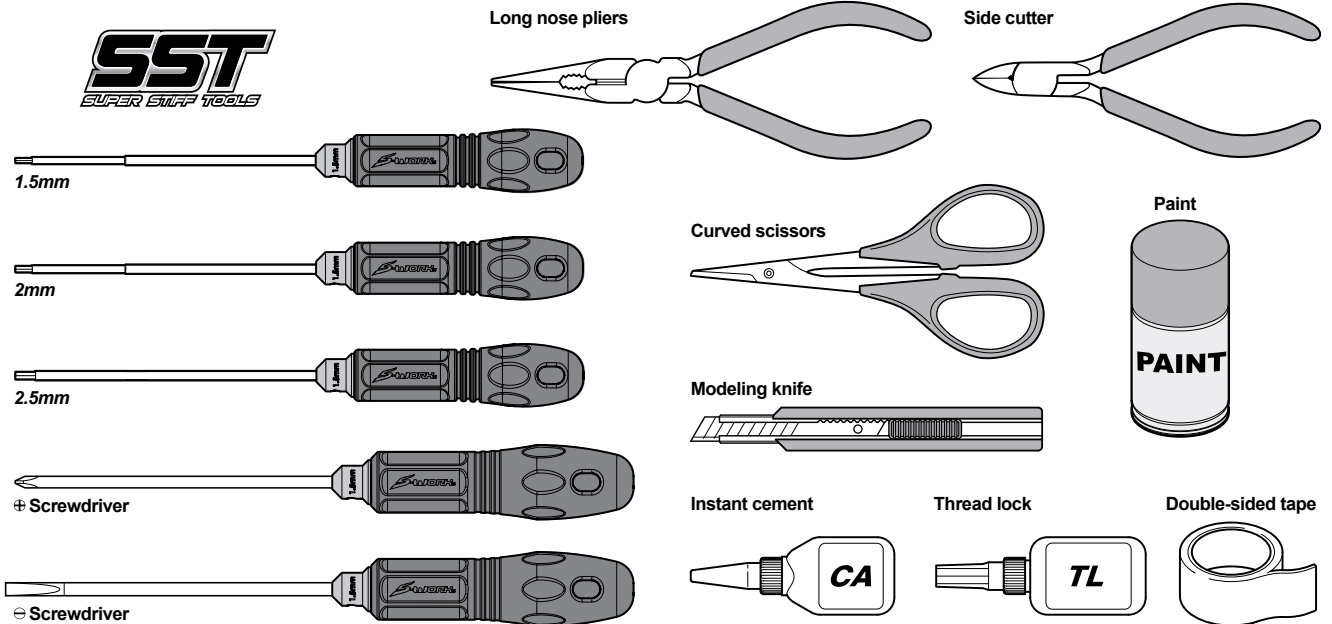
Engine Recommended



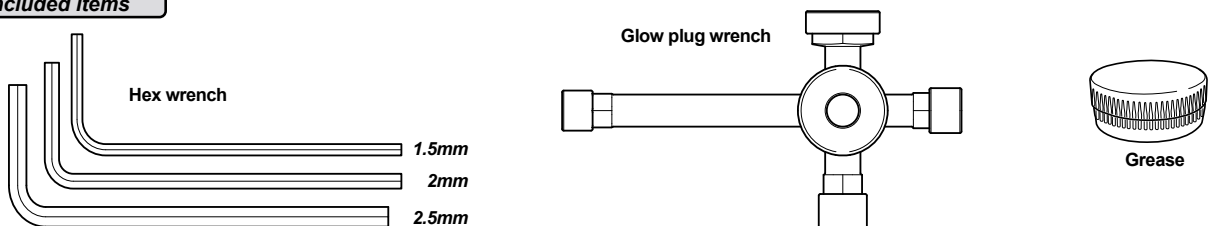
Engine Starting Equipment



Tools Recommended



Included items





104001
M5x4mm Set Screw **x4**



104004
M3x3mm Set Screw **x12**



104005
M3x4mm Set Screw **x4**



104007
M4x8mm Set Screw **x4**



104008
M4x4mm Set Screw **x3**



104011
M4x4mm Set Screw (Flat Bottom) **x3**



105001
M3x8mm Cap Screw **x1**



105004
M2.6x6mm Cap Screw **x9**



105005
M3x12mm Cap Screw **x6**



105013
M3x25mm Cap Screw **x4**



105007A
M4x8mm I-Head Screw **x4**



105011
M3x23mm Cap Screw **x2**



106002
M3x10mm Hex Socket OH/TP Screw **x6**



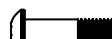
106003
M3x16mm Hex Socket OH/TP Screw **x6**



106005
M3x15mm Hex Socket OH/TP Screw **x13**



106006
M3x20mm Hex Socket OH/TP Screw **x3**



106007
M3x12mm Hex Socket OH/TP Screw(HT) **x7**



106008
M3x12mm Hex Socket OH/TP Screw **x8**



106009
M3x25mm Hex Socket OH/TP Screw **x4**



106010
M3x6mm Hex Socket OH/TP Screw **x23**



108001
M3x12mm FH/ST HEX Screw **x22**



108003
M3x10mm FH/ST HEX Screw **x26**



108006
M3x8mm FH/ST HEX Screw **x29**



108014
M3x3mm FH/ST HEX Screw **x4**



108008
M3x35mm FH/ST HEX Screw **x4**



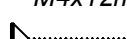
108009
M3x20mm FH/ST HEX Screw **x4**



108010
M4x10mm FH/ST HEX Screw **x2**



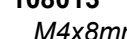
108011
M4x12mm FH/ST HEX Screw **x4**



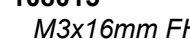
108012
M4x16mm FH/ST HEX Screw **x8**



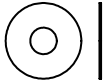
108013
M4x8mm FH/ST HEX Screw **x1**



108015
M3x16mm FH/ST HEX Screw **x2**



108022
M3x25mm FH/ST HEX Screw **x1**



101004
Washer 3.5X10X0.2mm **x12**



103001
M3 Nut Lock **x20**



330561
S350 New BBS System Shock Seal Washer 3.6X7X2.5mm **x8**



101010A
M3 Countersunk Washer (GM) **x4**



103004
M2.5mm Nut Lock **x6**



330567
S350 New BBS System Shock Seal Washer 3.5X7X1.0mm **x4**



101011
M2.6x6xT0.6mm **x4**



103003A
Flange M3 Nut Lock (GM) **x4**



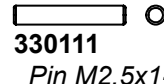
330015
Pin M2.2x9.9mm **x6**



101013
3mm Spring Washer **x4**



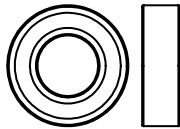
116004
Ball Bearing 6x10x3mm **x4**



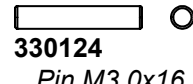
330111
Pin M2.5x14.8mm **x6**



101015
M5x8xT0.4mm **x5**



116006
Ball Bearing 8x16x5mm **x14**



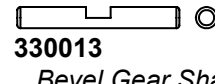
330124
Pin M3.0x16.8mm **x4**



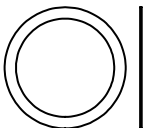
101016
M3x8xT0.8mm **x1**



116010
Ball Bearing 5x10x4mm **x2**



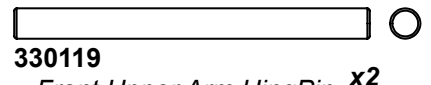
330013
Bevel Gear Shaft **x6**



101018
SHIM 13x16x0.2mm **x6**



116016
Ball Bearing 5x11x4mm **x4**



330119
Front Upper Arm HingPin **x2**



101019
SHIM 6.0x10.0x0.2mm **x2**



117003
Flange Ball Bearing 3x6x2.5mm **x6**



400002
O-ring S5 4.8X1.5 **x6**



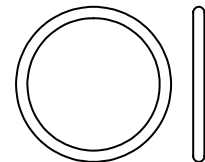
101020A
3mm Countersunk Washers (GM) **x2**



330117A
Knuckle Pivot Ball Washer **x2**



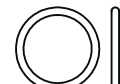
400006
Shock Seal O-Ring **x8**



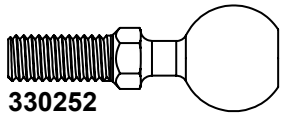
400019
S350 New BBS System Shock Spring Adjust Nut O-Ring **x4**



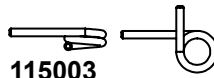
101021
Washer M3x8xT0.8mm **x5**



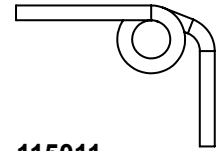
400020
S350 New BBS System Shock Seal O-Ring **x4**



330252
Steering Knuckle Pivot Ball Turnbuckle **x4**



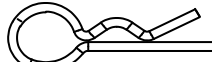
115003
Tornado Clutch Spring **x3**



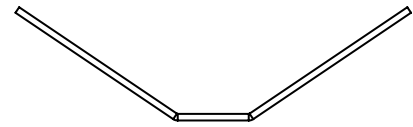
115011
Pipe Spring **x1**



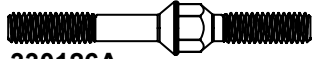
330123A
S350 EVO Rear Upper Sus. Arm Turnbuckles M5x38mm **x2**



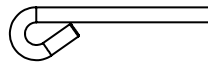
115019
Body Clip **x2**



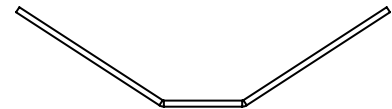
115005
Rear Sway Ball 2.8mm **x1**



330126A
S350 EVO Steering Turnbuckle M4x40mm **x2**



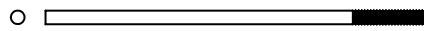
330106
Brake Cam **x2**



115008
Front Sway Ball 2.3mm **x1**



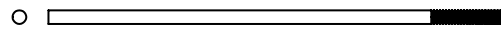
330155
Steering Servo Turnbuckle (M3x30mm) **x2**



115016
Throttle Rod 50mm **x1**



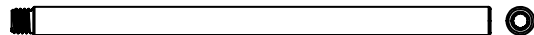
115004
Servo Saver Spring **x1**



115018
Brake Rod 60mm **x2**



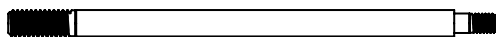
115106
S350 BBS Option Shock SpringA-1 **x2**
(75X1.4X6.5)



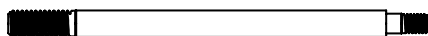
330103
Front/Rear Lower Arm HingPin **x4**



115108
S350 BBS Option Shock SpringB-1 **x2**
(90X1.4X7.5)



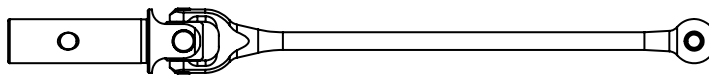
330635
S350 New BBS System +5.5mm Shock Shaft (L) **x2**



330636
S350 New BBS System +1.3mm Shock Shaft (S) **x2**



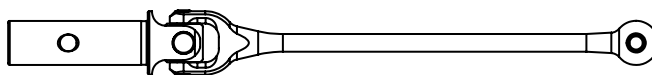
115015
Brake Spring **x2**



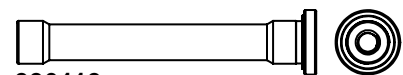
210046
S350 Series Universal Cross Drive Shaft Set 92.5mm **x4**



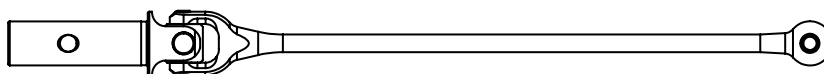
115017
Throttle Rod Spring **x1**



210045
S350 Series F/C Universal Cross Drive Shaft Set 82mm **x1**



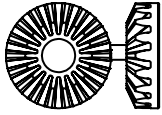
330113
Servo Saver Shaft **x2**



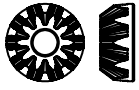
210047
S350 Series R/C Universal Cross Drive Shaft Set 113.5mm **x1**



330114A
S350 Servo Saver Post (HC) **x1**



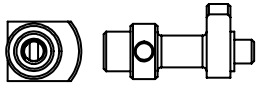
320003
Diff. Bevel Gear 18T **x6**



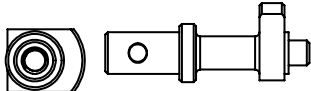
320004
Diff. Bevel Gear 10T **x12**



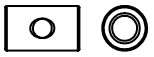
330009
Tornado Fly Wheel **x1**
Center Nut



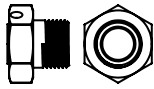
330104
Brake Cam (S) **x1**



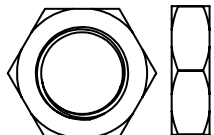
330105
Brake Cam (L) **x1**



330110
CVD Join **x6**



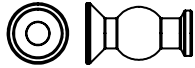
330121B
S350 Wheel Hub (HC) **x4**



330122A
S350 Wheel Nut (HC) **x4**



330125
Rear Upper Sus. Arm Ball Stud **x4**



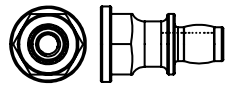
330127
Steering Linkage Ball Stud 7mm **x4**



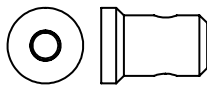
330134
Shock Ball Stud **x10**



330136
Sway Bar Ball Stud **x4**



330138A
S350 EVO Shock Cap Stud **x4**



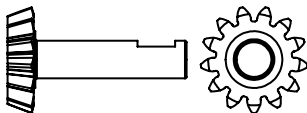
330140A
Pipe Holder (GM) **x1**



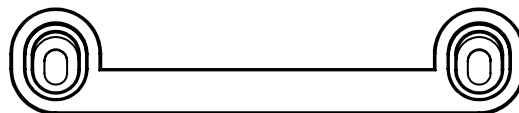
330156A
Adjuster Knob (GM) **x4**



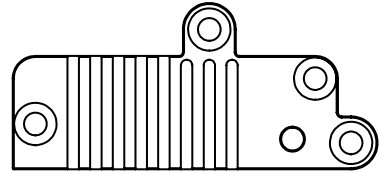
330157A
Brake Adjuster Knob (GM) **x2**



330486
S350 Series 13T straight pinion gear **x2**



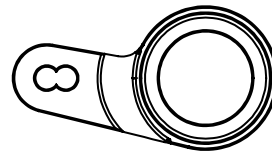
330210A
S350 Aluminum Front Upper Arm Holder (GM Color) **x1**



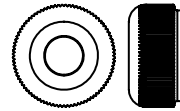
330407A
S350 series PSP Aluminum Throttle Linkage Arm Plate (GM) **x1**



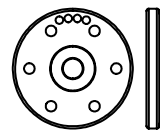
330408A
S350 series PSP Aluminum Throttle Linkage Arm Holder (GM) **x1**



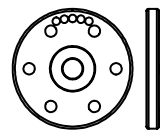
330423A
S350 PSP System Aluminum Series Setting Bellcrank Upper (A 2H) **x1**



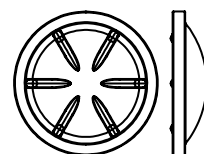
330557
S350 New BBS System Shock Seal Cap (GM) **x4**



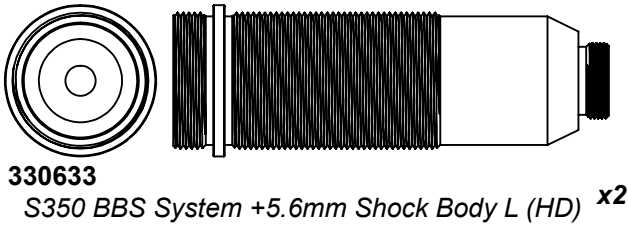
330562
S350 New BBS System Shock Piston 1.3mm x6 Holes **x2**



330563
S350 New BBS System Shock Piston 1.4mm x6 Holes **x2**



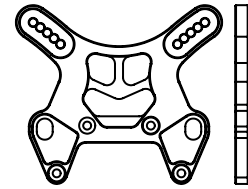
400022
S350 New BBS System Shock Bladder (Medium) **x4**



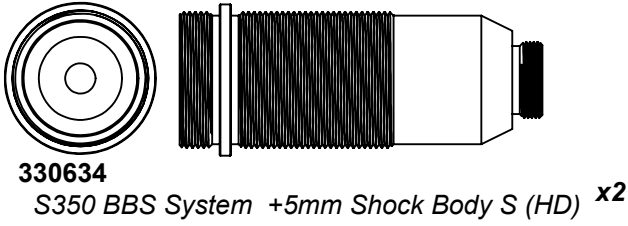
330633
S350 BBS System +5.6mm Shock Body L (HD) x2



330135A
Servo Saver Nut (GM) x1



330625
S350 Series Front Pro Shock Tower for L-BBS shocks x1



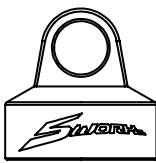
330634
S350 BBS System +5mm Shock Body S (HD) x2



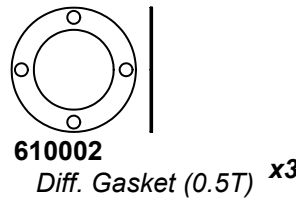
330560
S350 New BBS System Shock Spring Adjust Nut x4



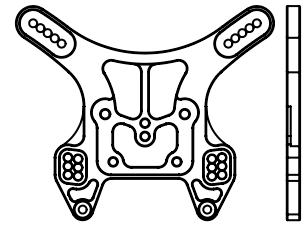
330554
Shock Cap x4



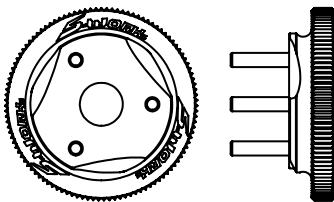
330118A
S350 Series Knuckle Pivot Ball Nut(GM) x4



610002
Diff. Gasket (0.5T) x3



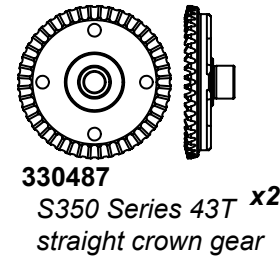
330626
S350 Series Rear Pro Shock Tower for L-BBS shocks x1



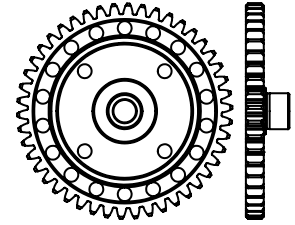
330008A
SWORKz Tornado Fly Wheel Set (GM) x1



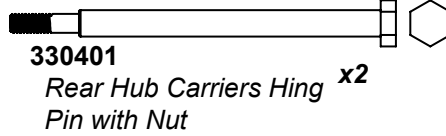
300017
Brake Disc x2



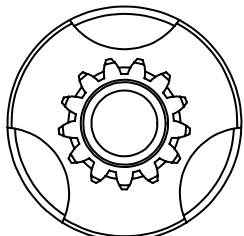
330487
S350 Series 43T straight crown gear x2



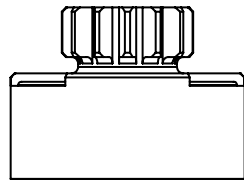
330018
46T SPUR GEAR x1



330401
Rear Hub Carriers Hing Pin with Nut x2



330137
Clutch Bell 13T x1



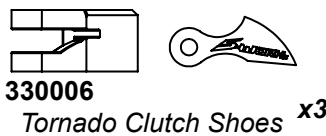
330399A
S350 Series Aluminum Rear Chassis Brace Mount x1



330435
High Performance Matel Brake Calipers 2.0 A Side x2



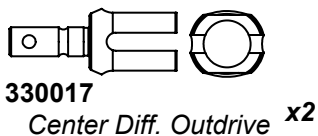
330436
High Performance Matel Brake Calipers 2.0 B Side x2



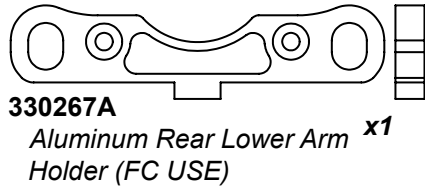
330006
Tornado Clutch Shoes x3



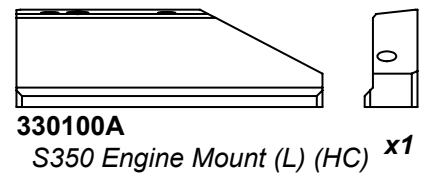
330086A
S350 Front Lower Suspension Plate x1



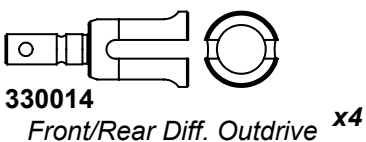
330017
Center Diff. Outdrive x2



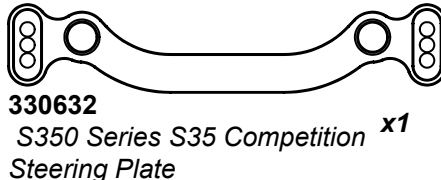
330267A
Aluminum Rear Lower Arm Holder (FC USE) x1



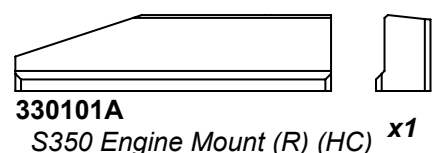
330100A
S350 Engine Mount (L) (HC) x1



330014
Front/Rear Diff. Outdrive x4

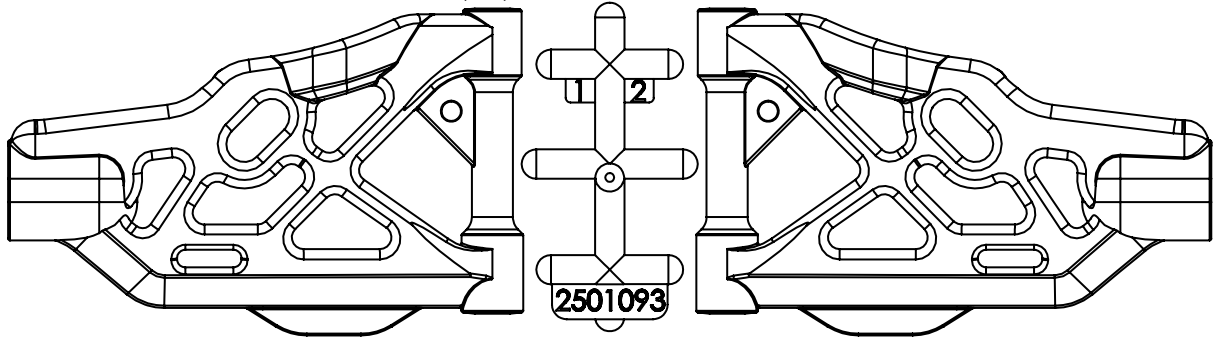


330632
S350 Series S35 Competition Steering Plate x1

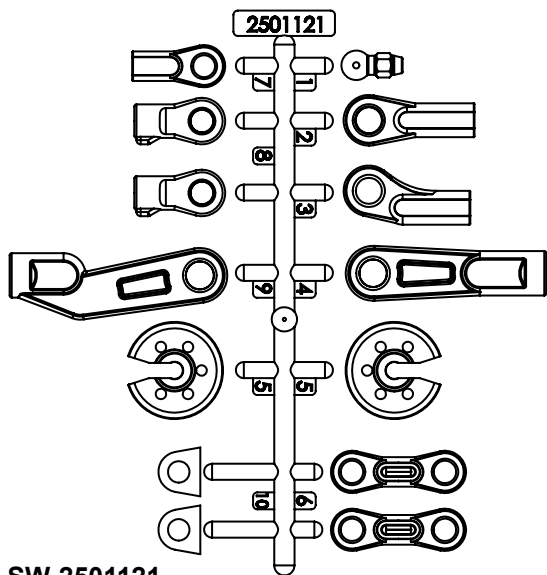
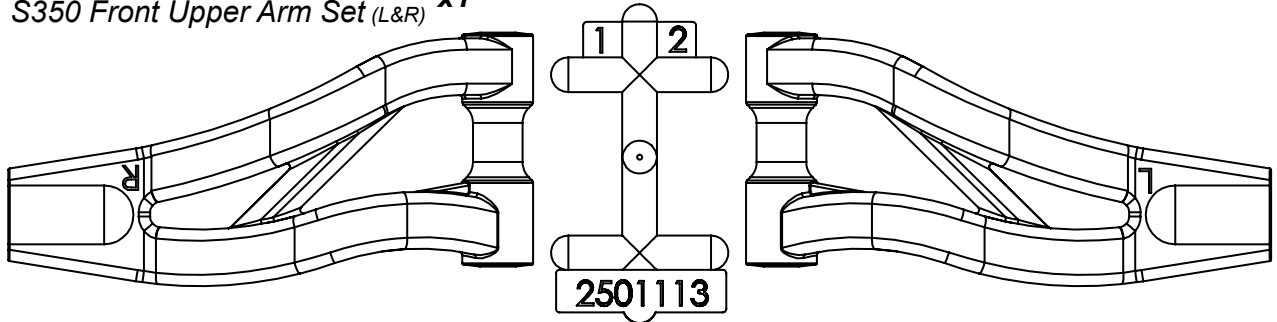


330101A
S350 Engine Mount (R) (HC) x1

SW-2501093B
S350 EVO I/II BBS Front Lower Arm Set (L&R) x1

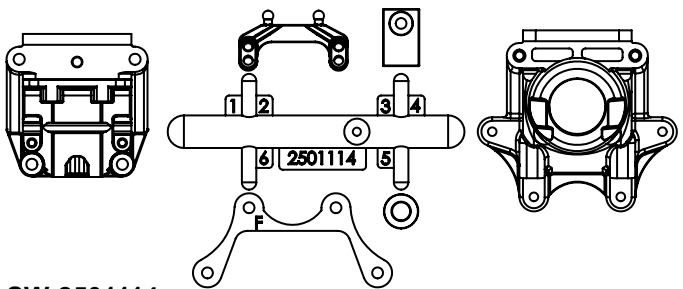
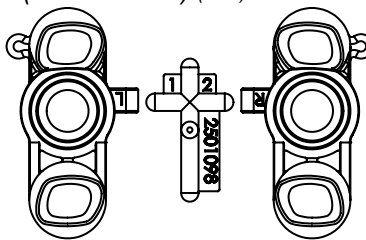


SW-2501113
S350 Front Upper Arm Set (L&R) x1



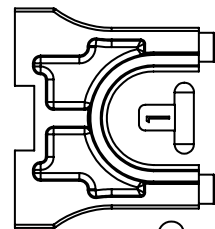
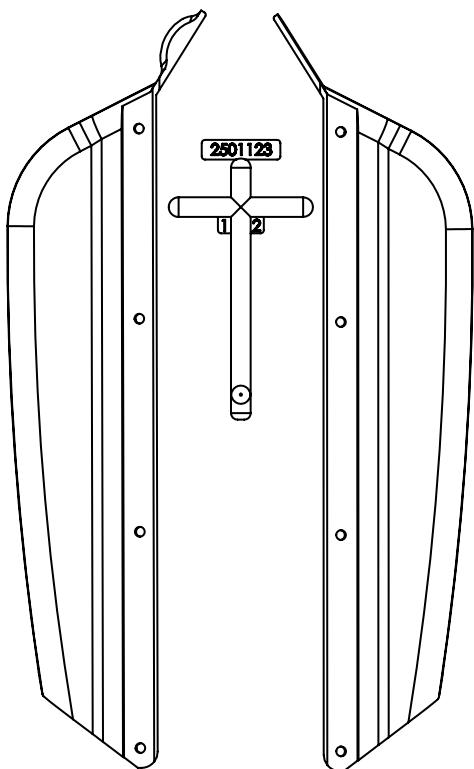
SW-2501121
S350 Ball End Set with Shock Plastic Parts (2 Set) x2

SW-2501098A
S350 Front Steering Knuckle Set x1
(Also for LDS) (L&R)

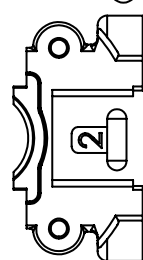


SW-2501114
S350 Gear Box Set (F&R) x2

SW-2501123
S350 Side Guard Set (L&R) **x1**



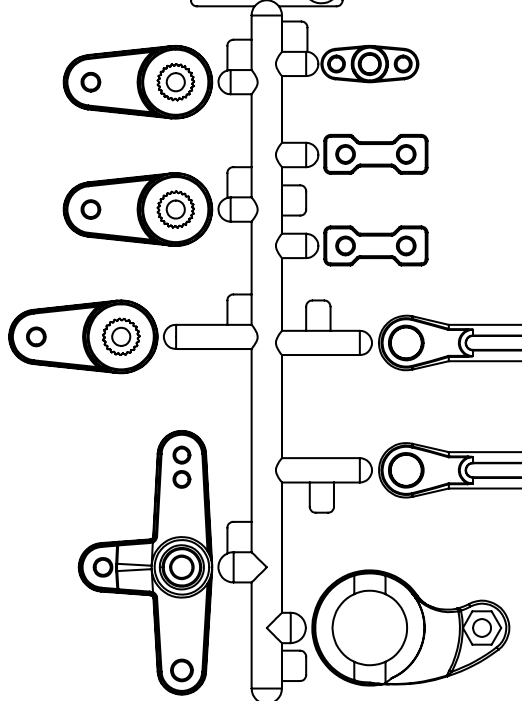
2501124



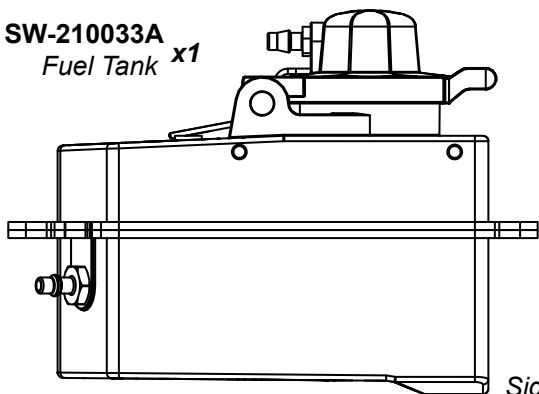
SW-210002
Center Diff. Mount **x2**
(Lower)(Upper)

SW-2501667
S350 Power Steering Servo Savor **x1**
Arm Plastic

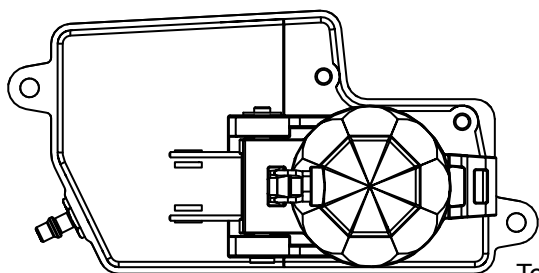
2501667



SW-210033A
Fuel Tank **x1**

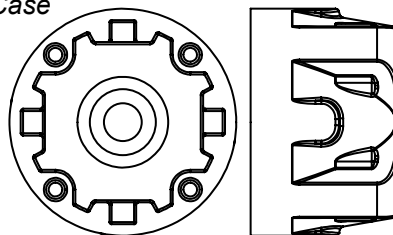


Side View



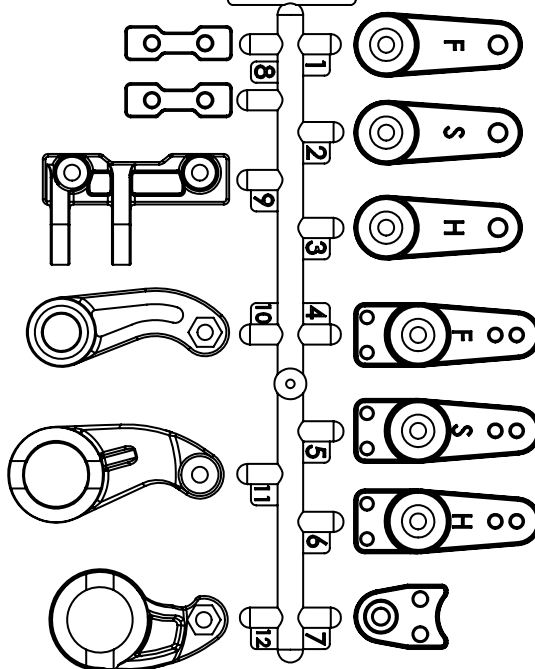
Top View

SW-210002A **x3**
Diff. Case

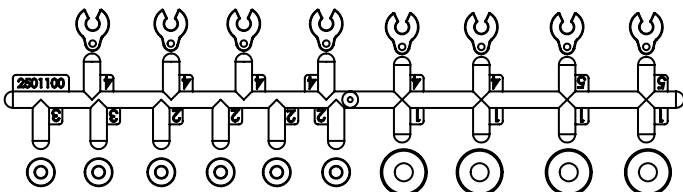


SW-2501122
S350 Setting Bellcrank Set **x1**
with Servo Horn Set

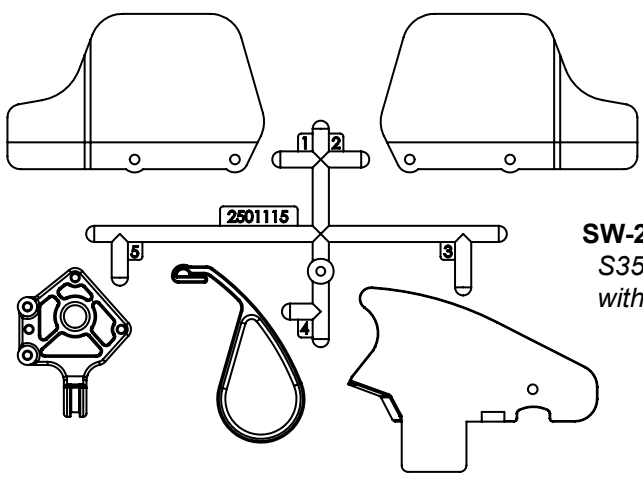
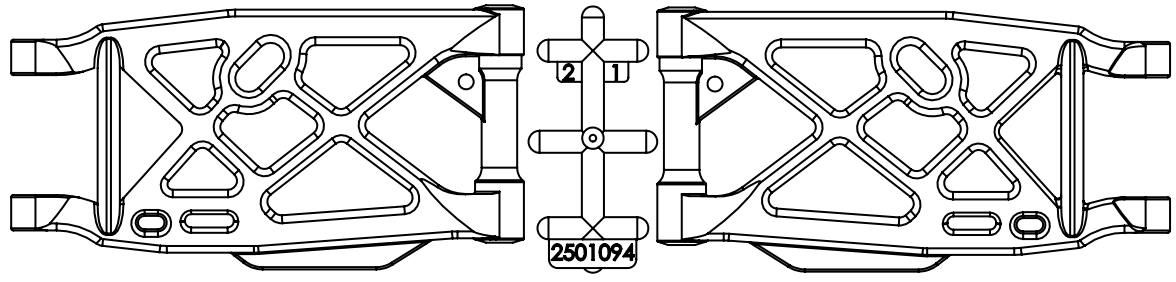
2501122



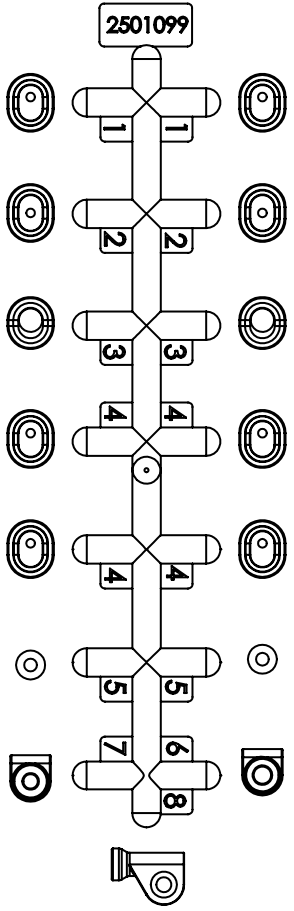
SW-2501100
S350 Pivot Ball Cup **x2**
Caster Insert Set



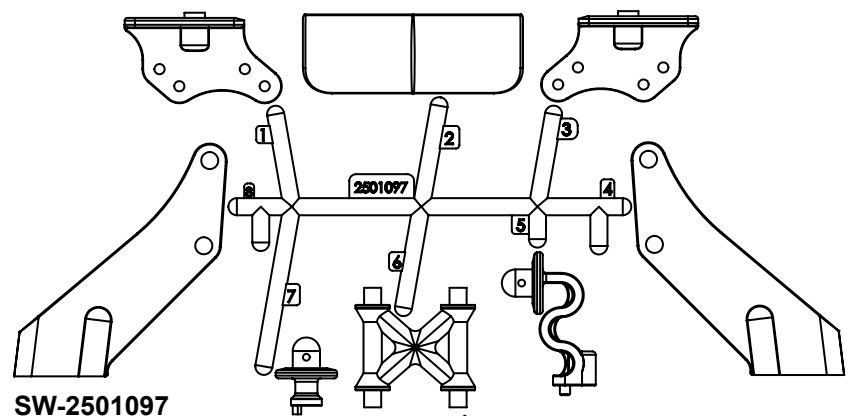
SW-2501094C
S350 EVO I/II BBS Rear Lower Arm Set (L&R) x1



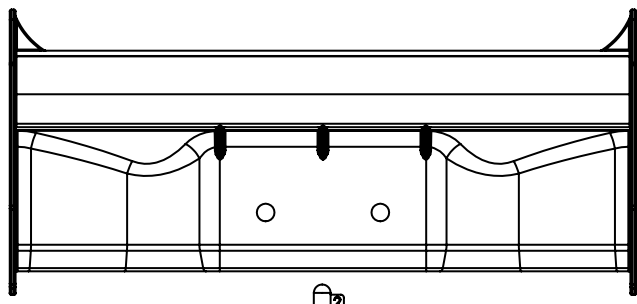
SW-2501115
S350 Rear Lower Arm Dusty Cover x1
with Fuel Sprinkle Guard



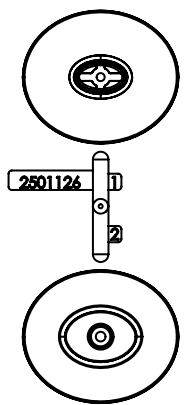
SW-2501099
S350 R/F Insert x2
Brake
Throttle Linkage
Linkage Holder



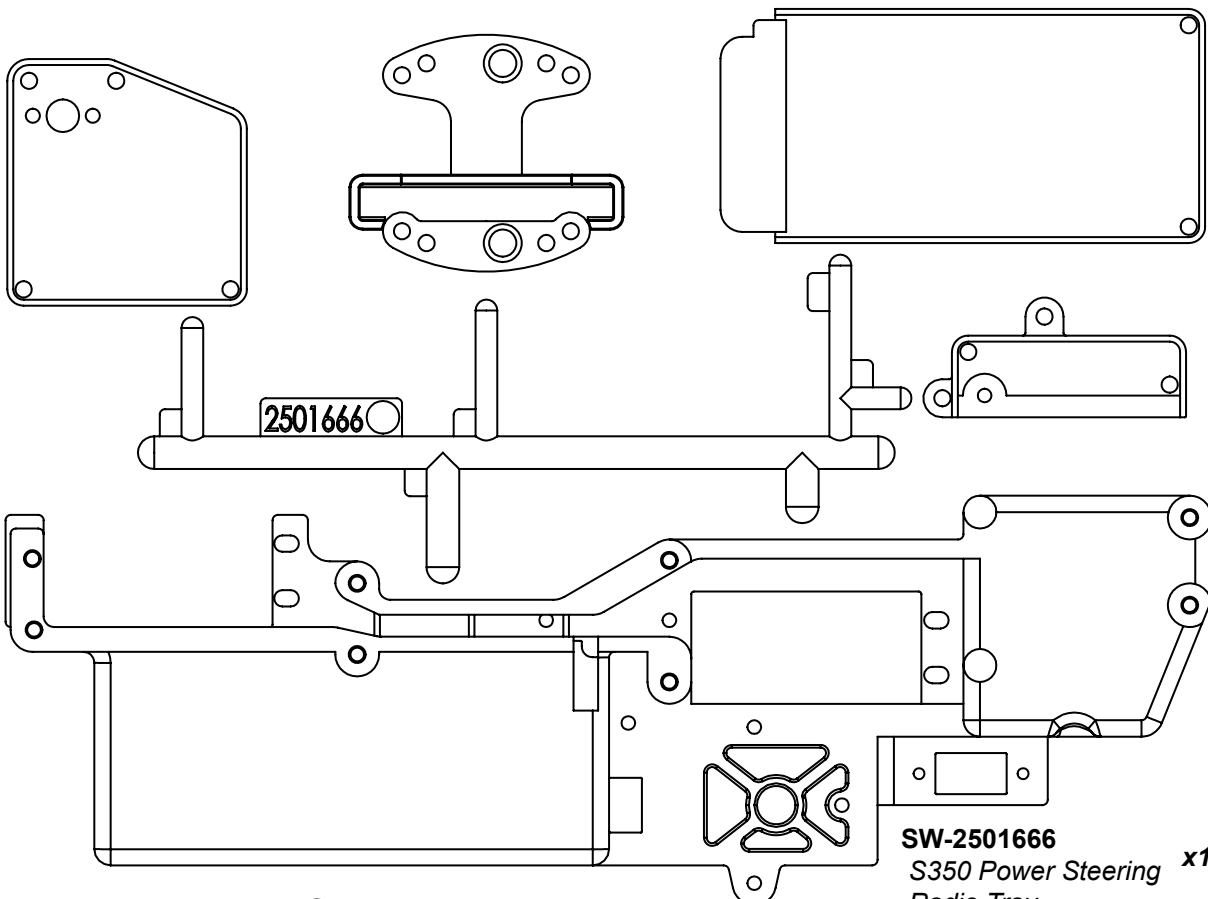
SW-2501097
S350 Wing Stay Set with Bumper x1



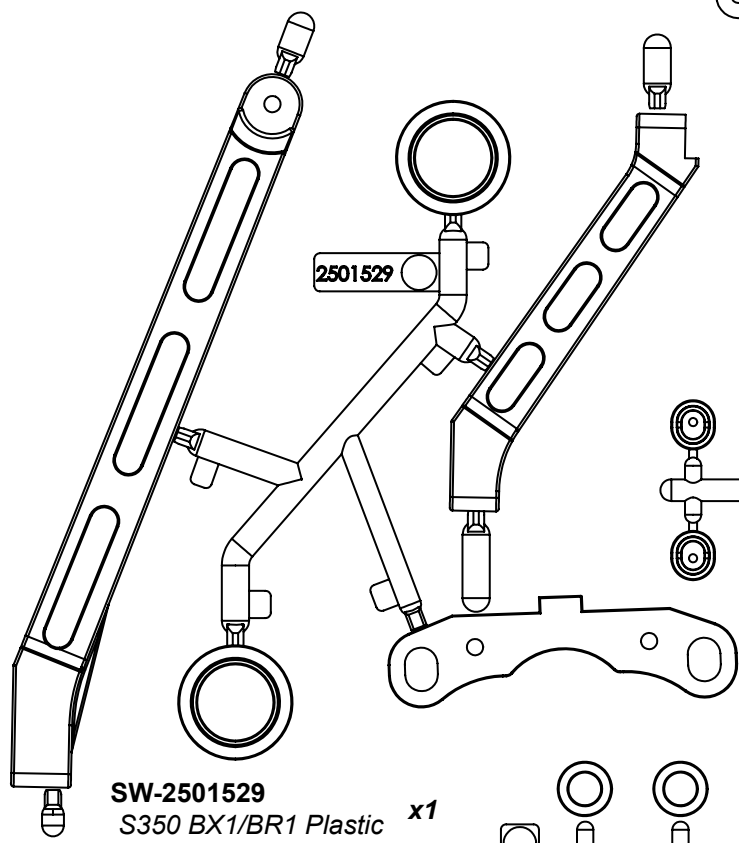
SW-2501116
S-WORKz
High Done Force Wing Set x1
(BK)/Fit S350)



SW-2501126
Air Filter Set x1

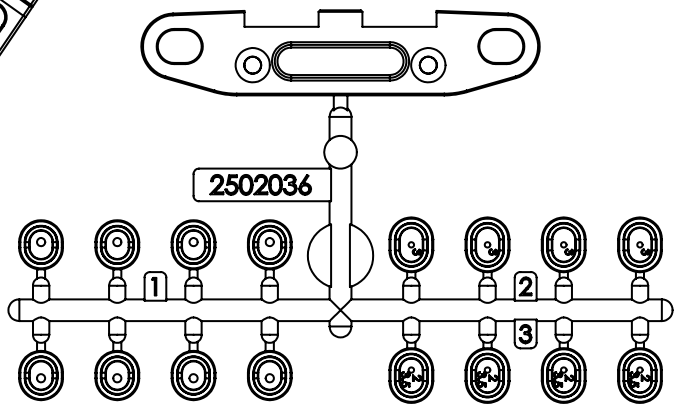


SW-2501666
S350 Power Steering x1
Radio Tray

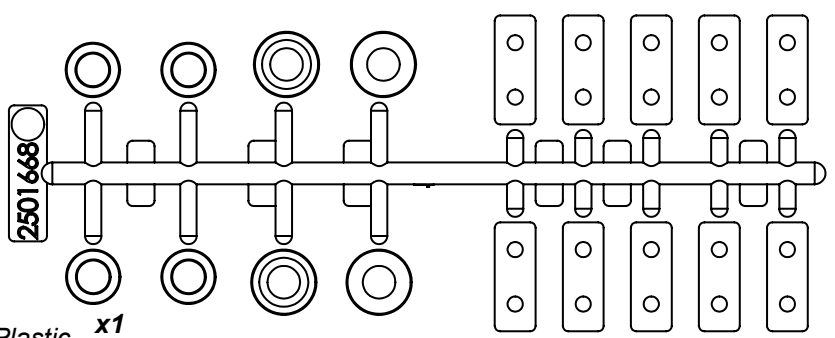


SW-2501529
S350 BX1/BR1 Plastic x1
Chassis Brace Set

SW-2502036
S350 Series Rear Changable x1
Plastic Lower Arm Plate with insert



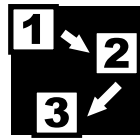
SW-2501668
S350 Series Plastic x1
Insert Set



Operation Guide



Assemble front and rear



Assemble in the specified order



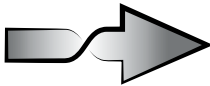
Assemble both left and right sides



Assemble for 2 sets



Assemble for 4 sets



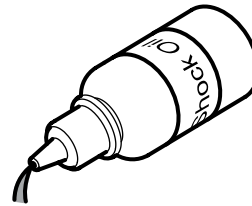
overturn



Thread Locking Compound



Grease



Pure Silicone Oil



Air filter oil

Safety Precautions

The SWORKz S350 EVO II Limited is a high performance radio controlled model which needs to be operated with caution and common sense.

The S350 EVO II Limited Pro Kit is not intended for children under the age of 14 without adult supervision. SWORKz shall not be held liable for any loss or damages, whether direct, indirect, act of nature, arising from the abuse or misuse of this product or any other product required while operating this model.

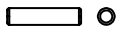
- The nitro fuel can be dangerous is improperly handled.
- Always keep your nitro fuel in a cool area and never use near flame, sparks, or while smoking.
- Keep your nitro fuel, and all other flammables, out of the reach of children.
- Always run your model in a well ventilated area outdoors. Never run your model indoors.
- After running your car, all parts of the engine and exhaust can become extremely hot. Be careful not to touch these parts especially when refueling, or making repairs.
- This model is controlled by your radio and that is vulnerable to interference from many outside sources. This interference can cause a loss of control so it is necessary to operate this model in an open area to avoid personal, or property damage. Always ensure turning on your radio first.
- Keep all the product included in the package out of reach of children.
- This model contains many fast rotating parts. Never touch them during operation.
- Follow the instruction included with your radio gear.
- Never operate your model near people or property. The speed of this model has the potential for injury and or damage to people and or property.
- Always use original SWORKz spare and option parts.
- Always ensure the buggy is in proper working condition before use.

BAG B

1

F
R

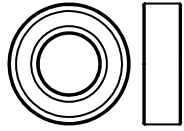
x2



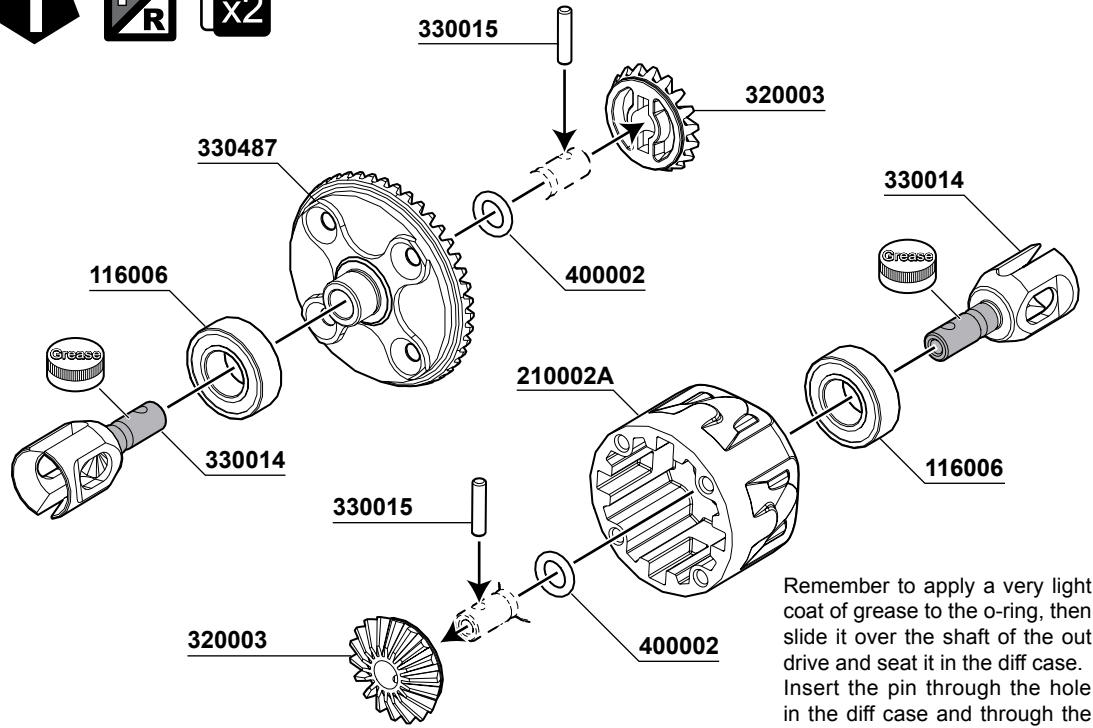
330015
Pin M2.2x9.9mm **x4**



400002
O-ring S5 4.8X1.5 **x4**



116006
Ball Bearing 8x16x5mm **x4**



Remember to apply a very light coat of grease to the o-ring, then slide it over the shaft of the out drive and seat it in the diff case. Insert the pin through the hole in the diff case and through the hole in the shaft of the out drive.

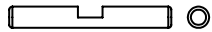
2

F
R

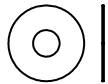
x2



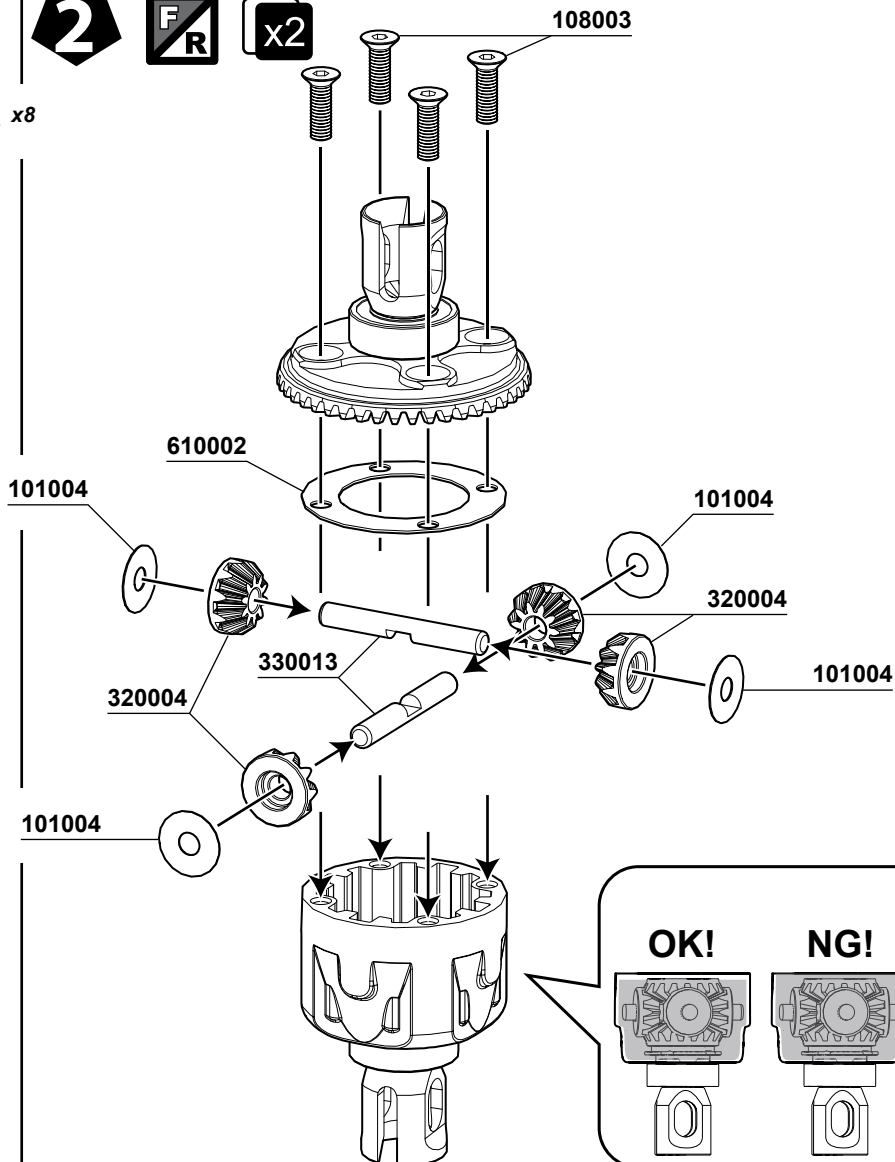
108003
M3x10mm FH/ST HEX Screw **x8**



330013
Bevel Gear Shaft **x4**



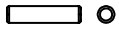
101004
Washer 3.5X10X0.2mm **x8**



OK!

NG!

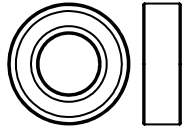
Fill the differentials with oil up to 80% above the satellite gears. Put the SWORKZ Diff. Oil 7000cps for the front Diff. and 3000cps for the rear Diff.



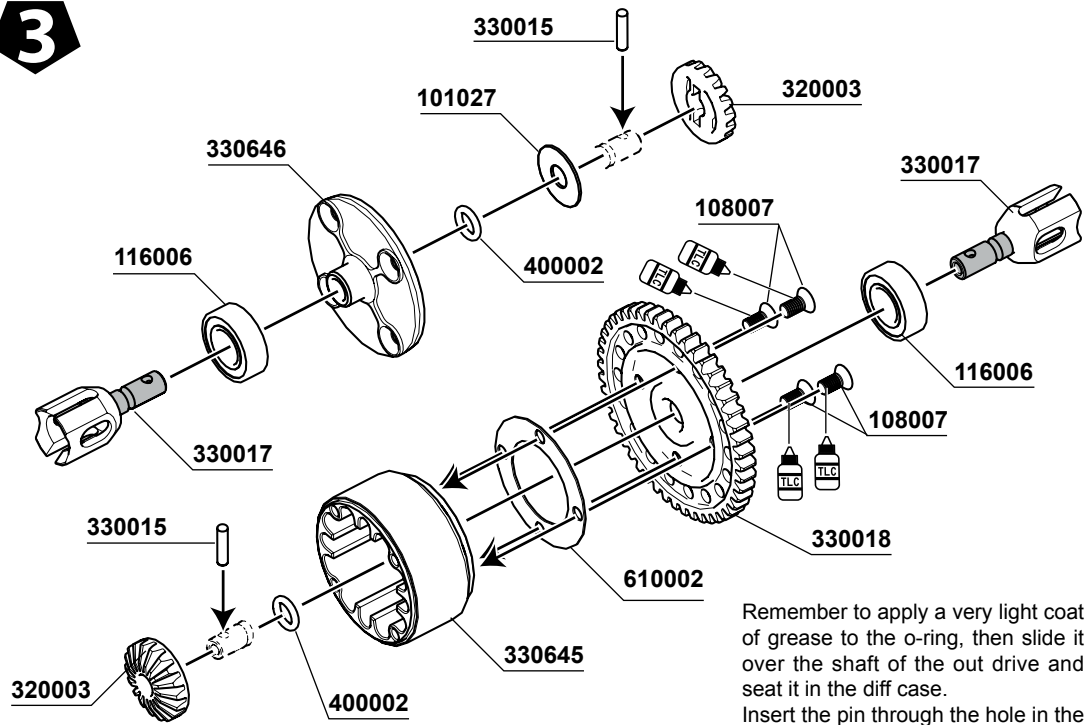
330015
Pin M2.2x9.9mm x2



400002
O-ring S5 4.8X1.5 x2



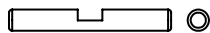
116006
Ball Bearing 8x16x5mm x2



Remember to apply a very light coat of grease to the o-ring, then slide it over the shaft of the out drive and seat it in the diff case. Insert the pin through the hole in the diff case and through the hole in the shaft of the out drive.



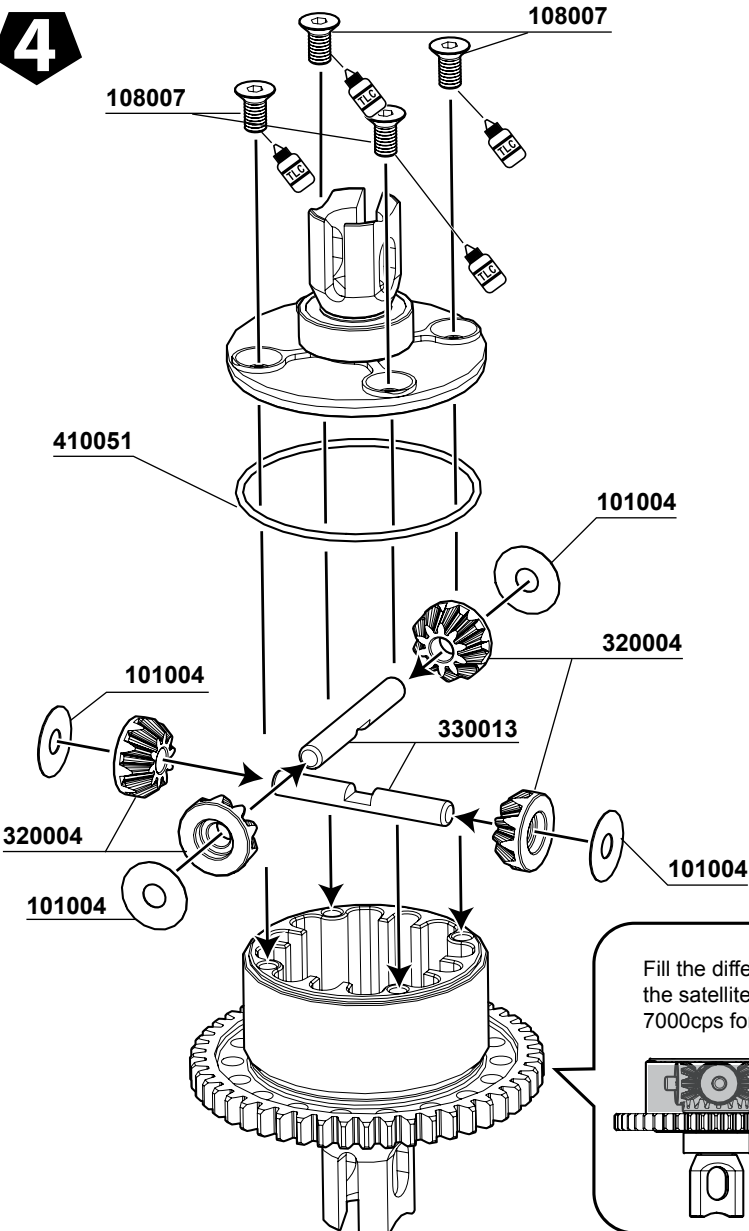
108003
M3x6mm FH/ST HEX Screw x4



330013
Bevel Gear Shaft x2



101004
Washer 3.5X10X0.2mm x4



Fill the differentials with oil up to 80% above the satellite gears. Put the SWORKzDiff. Oil 7000cps for the center Diff.

OK! **NG!**



104011
M4x4mm Set Screw (Flat Bottom) x1



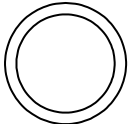
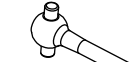
106010
M3x6mm Hex Socket OH/TP Screw x3



108001
M3x12mm FH/ST HEX Screw x4



116016
Ball Bearing 5x11x4mm x2



101018
SHIM 13x16x0.2mm x2

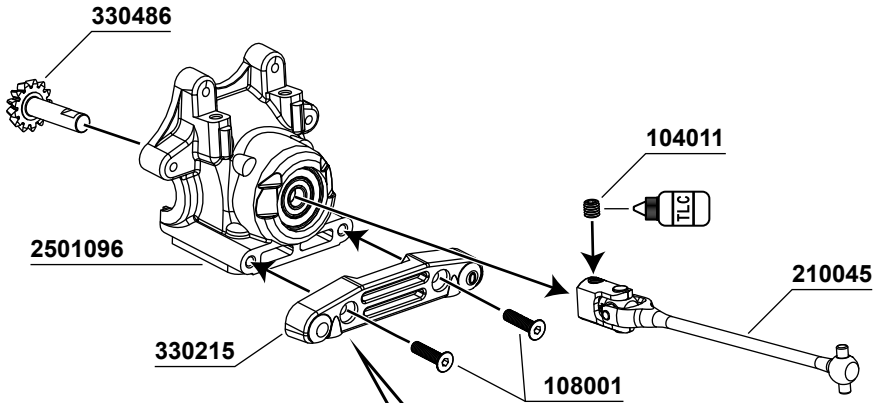
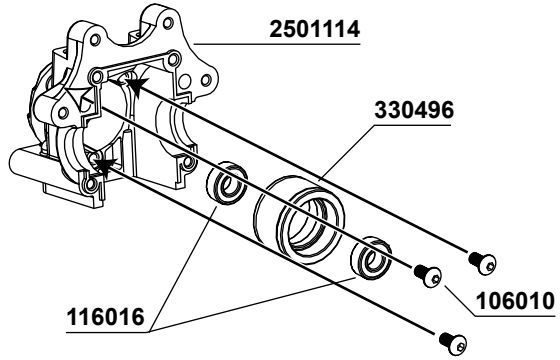


108008
M3x35mm FH/ST HEX Screw x2

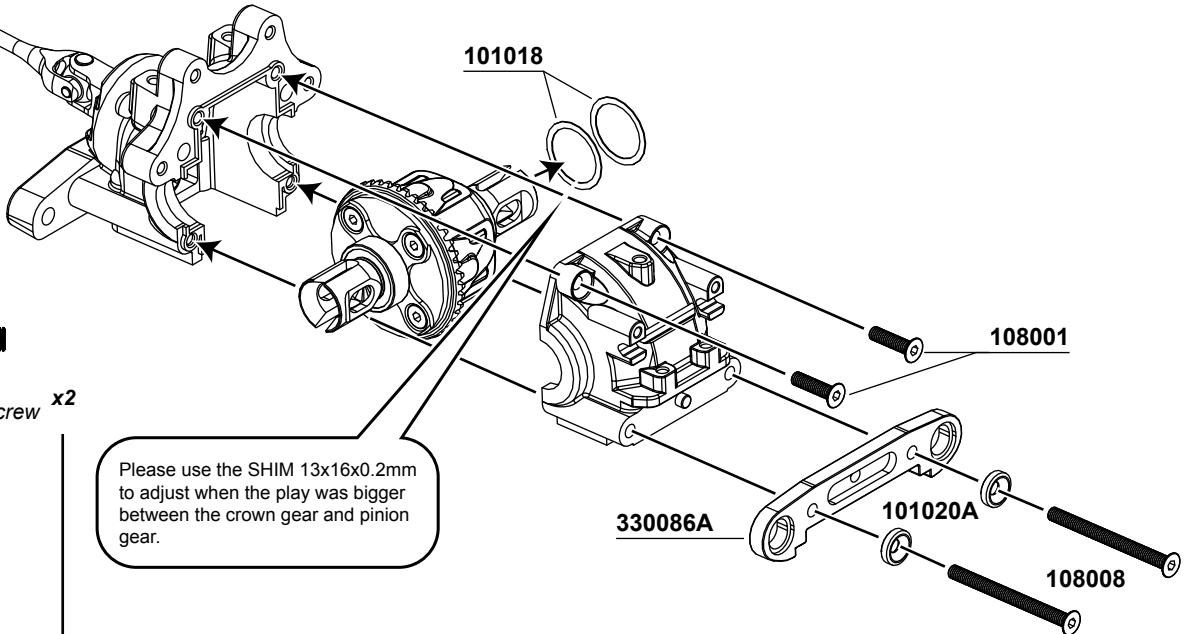


101020A
3mm Countersunk Washers (GM) x2

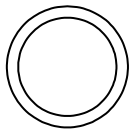
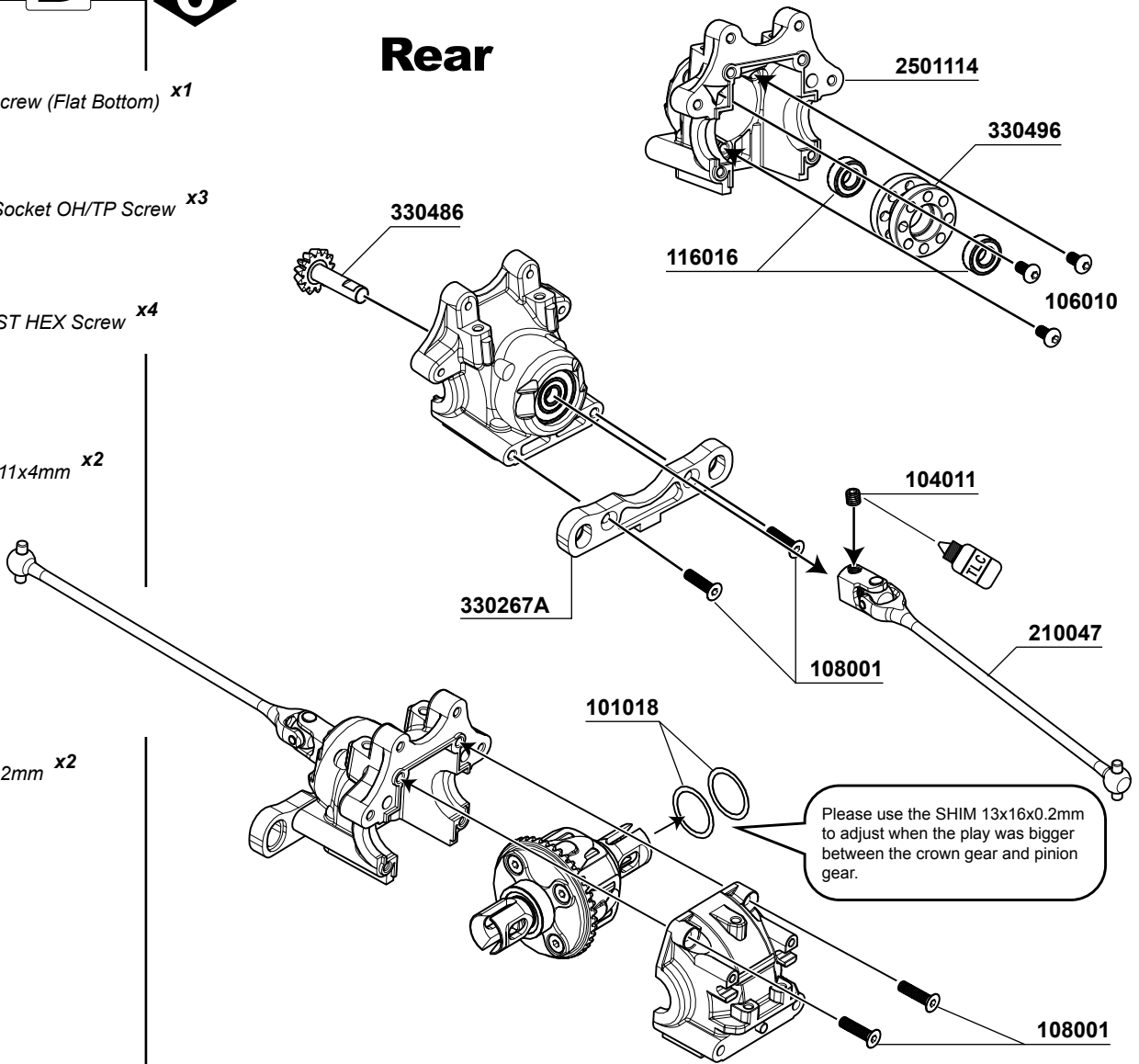
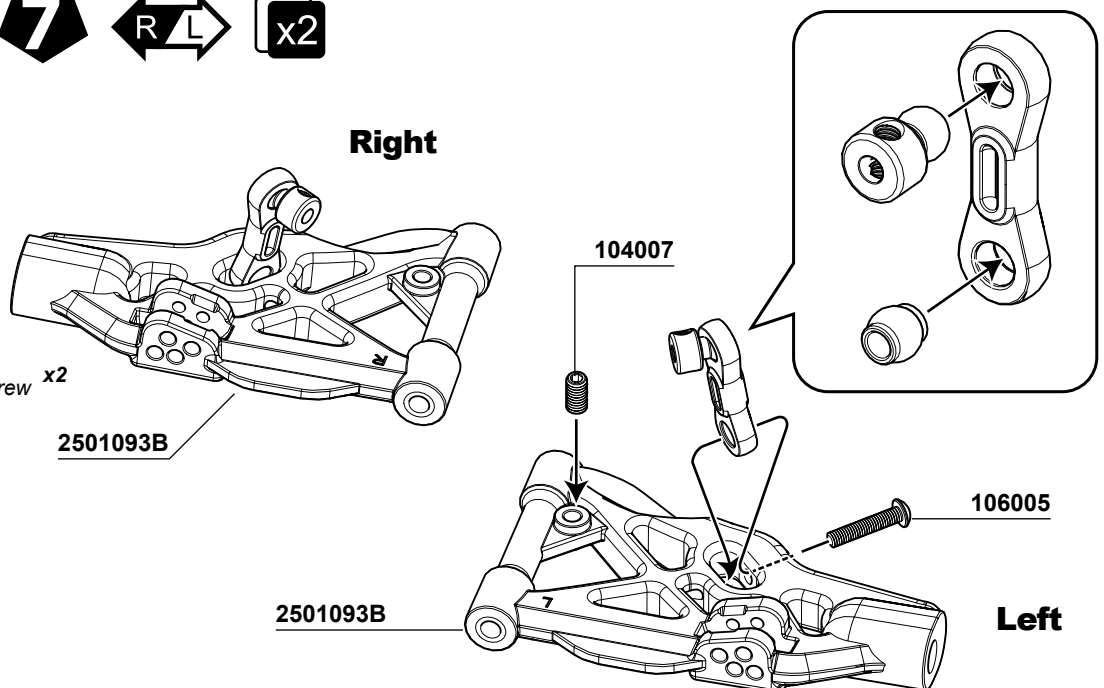
Front



The standard front lower arm holder (200102) can offer 0° kick-up for your front lower suspension. You may use the optional one (200103) to get 1° kick-up for your front lower suspension.
200102 Front Lower Arm Holder (0 degree)
200103 Front Lower Arm Holder (1 degree)



Please use the SHIM 13x16x0.2mm to adjust when the play was bigger between the crown gear and pinion gear.

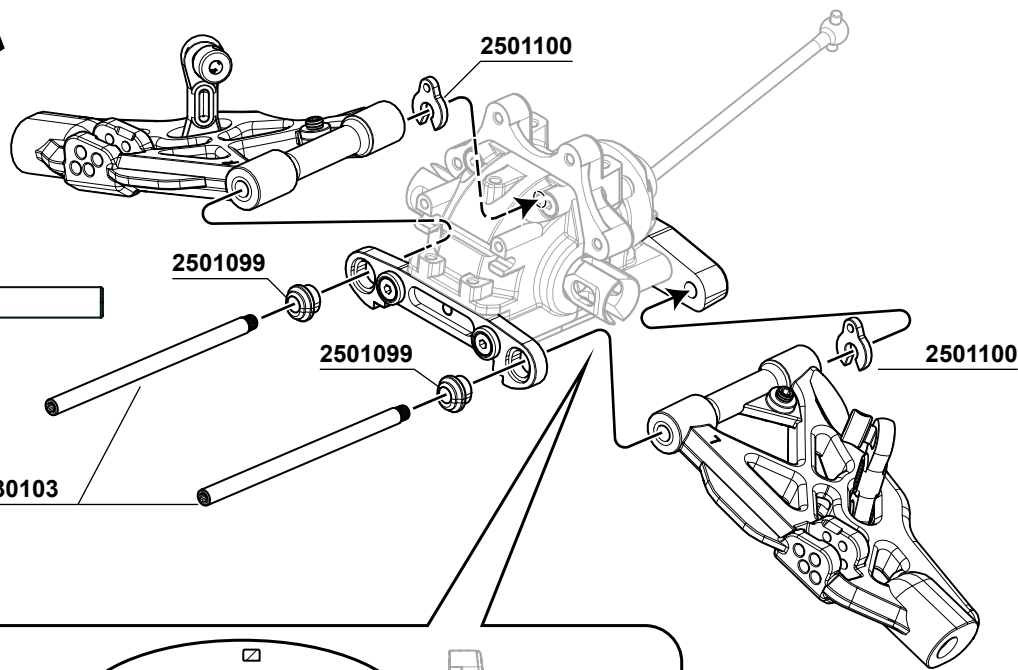
BAG D**6****Rear**104011
M4x4mm Set Screw (Flat Bottom) x1106010
M3x6mm Hex Socket OH/TP Screw x3108001
M3x12mm FH/ST HEX Screw x4116016
Ball Bearing 5x11x4mm x2101018
SHIM 13x16x0.2mm x2**BAG E****7****x2****BAG M****Right**104007
M4x8mm Set Screw x2106005
M3x15mm Hex Socket OH/TP Screw x2

2501093B

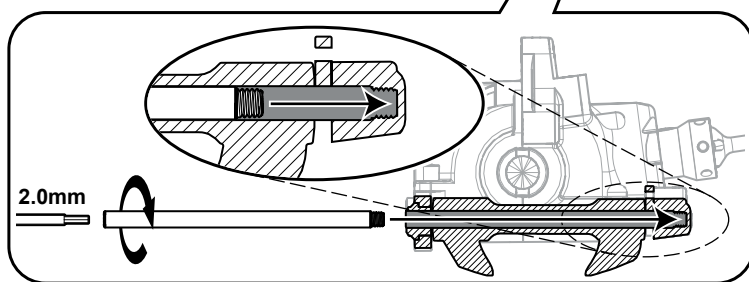
Left

BAG E

8



330103
Front/Rear Lower Arm HingPin x2

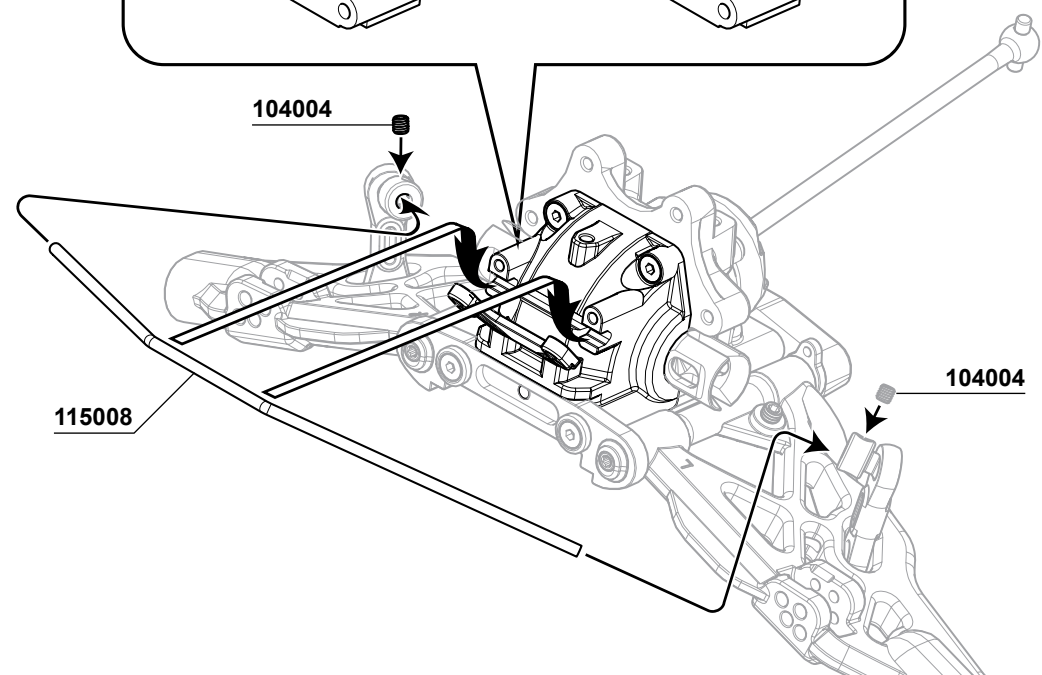
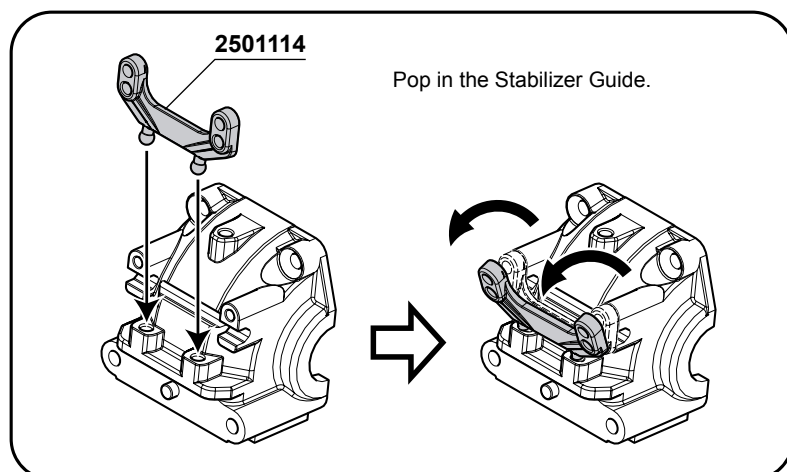


Use a 2mm Hex Wrench and slowly tighten the Hinge Pins.

BAG M

9

104004
M3x3mm Set Screw x2



BAG E

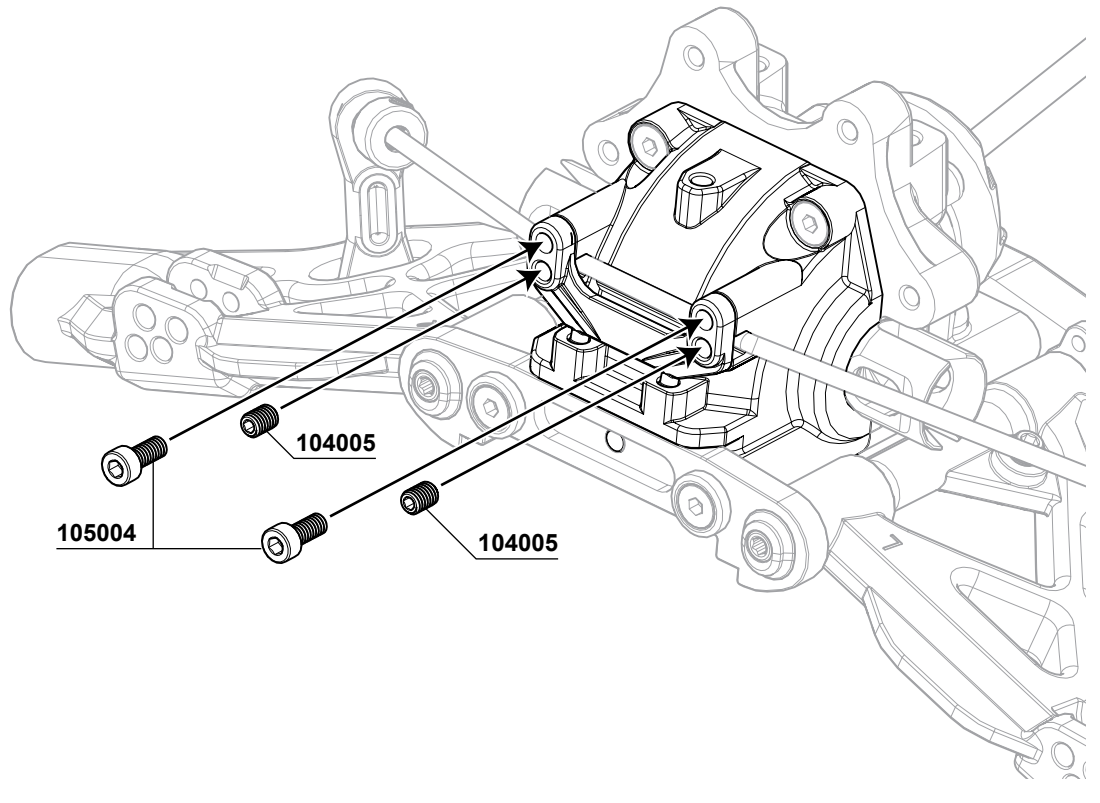
10



104005
M3x4mm Set Screw x2



105004
M2.6x6mm Cap Screw x2



BAG M

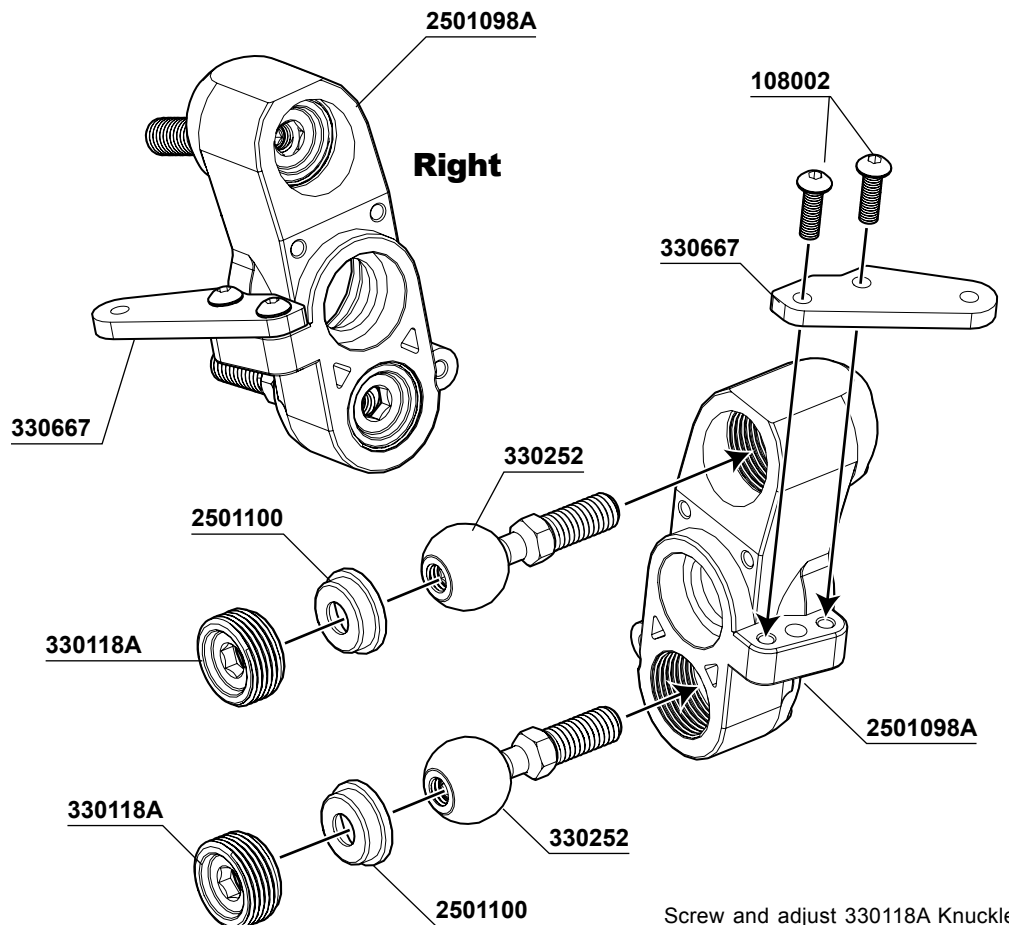
11



x2



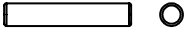
106002
M3x10mm Hex Soket OH/TP Screw x4



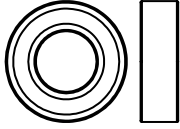
Screw and adjust 330118A Knuckle Pivot Ball Nut so as the pivot ball can be moved smoothly.



104001
M5x4mm Set Screw x2



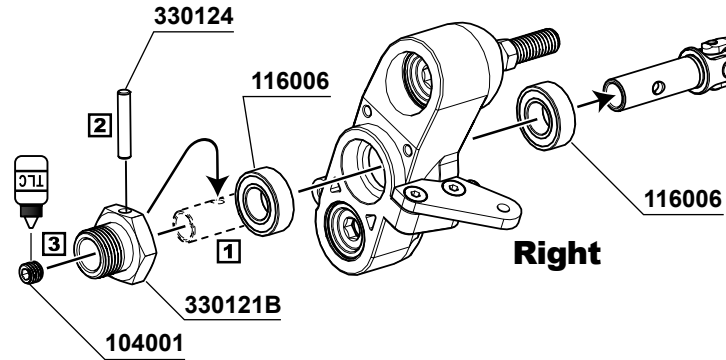
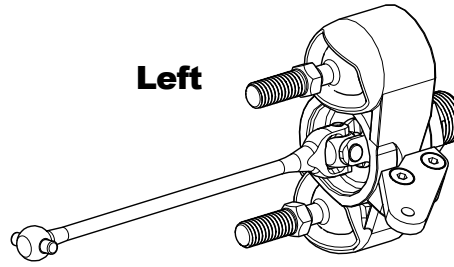
330124
Pin M3.0x16.8mm x2



116006
Ball Bearing 8x16x5mm x2



Left



Right

BAG M

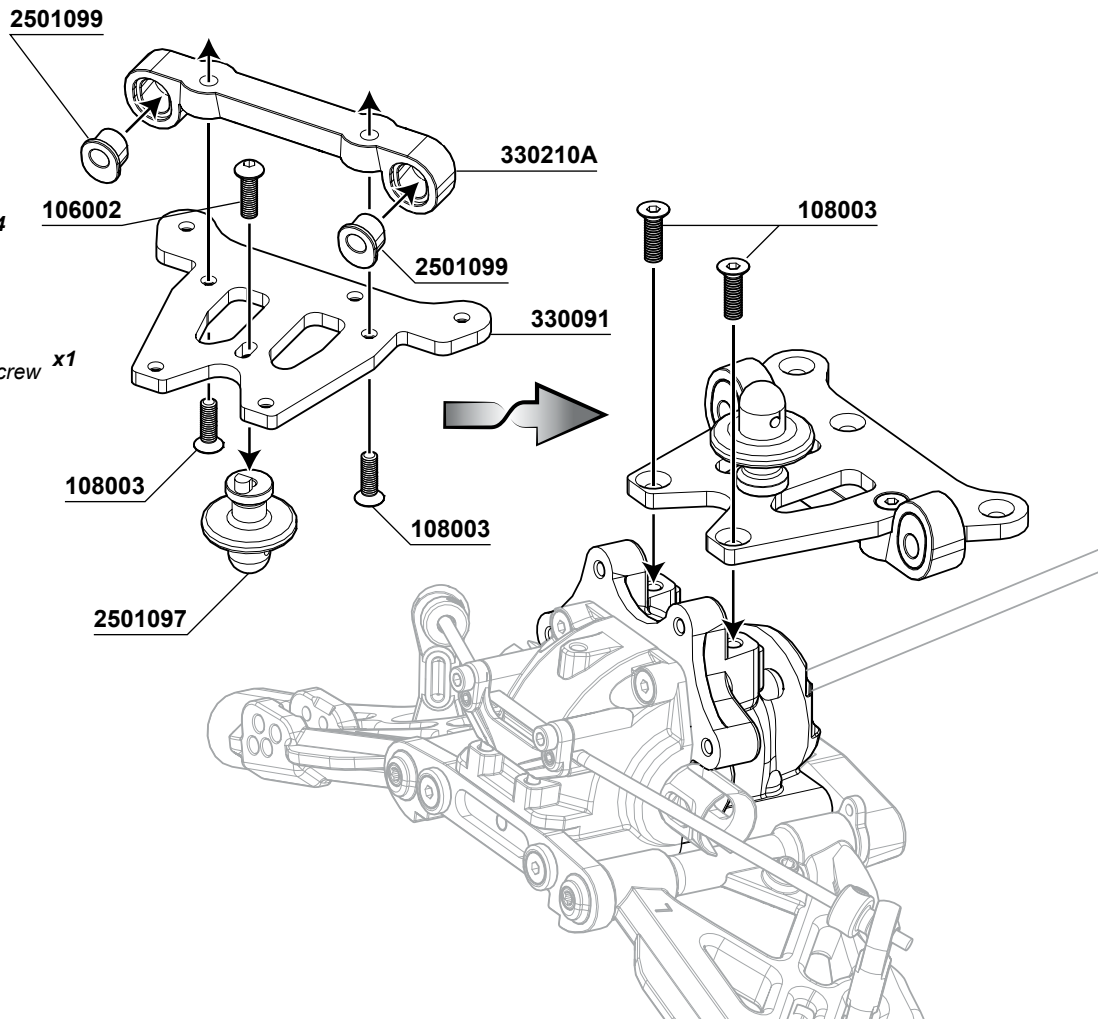
13



108003
M3x10mm FH/ST HEX Screw x4



106002
M3x10mm Hex Socket OH/TP Screw x1



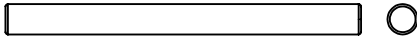
BAG E

14

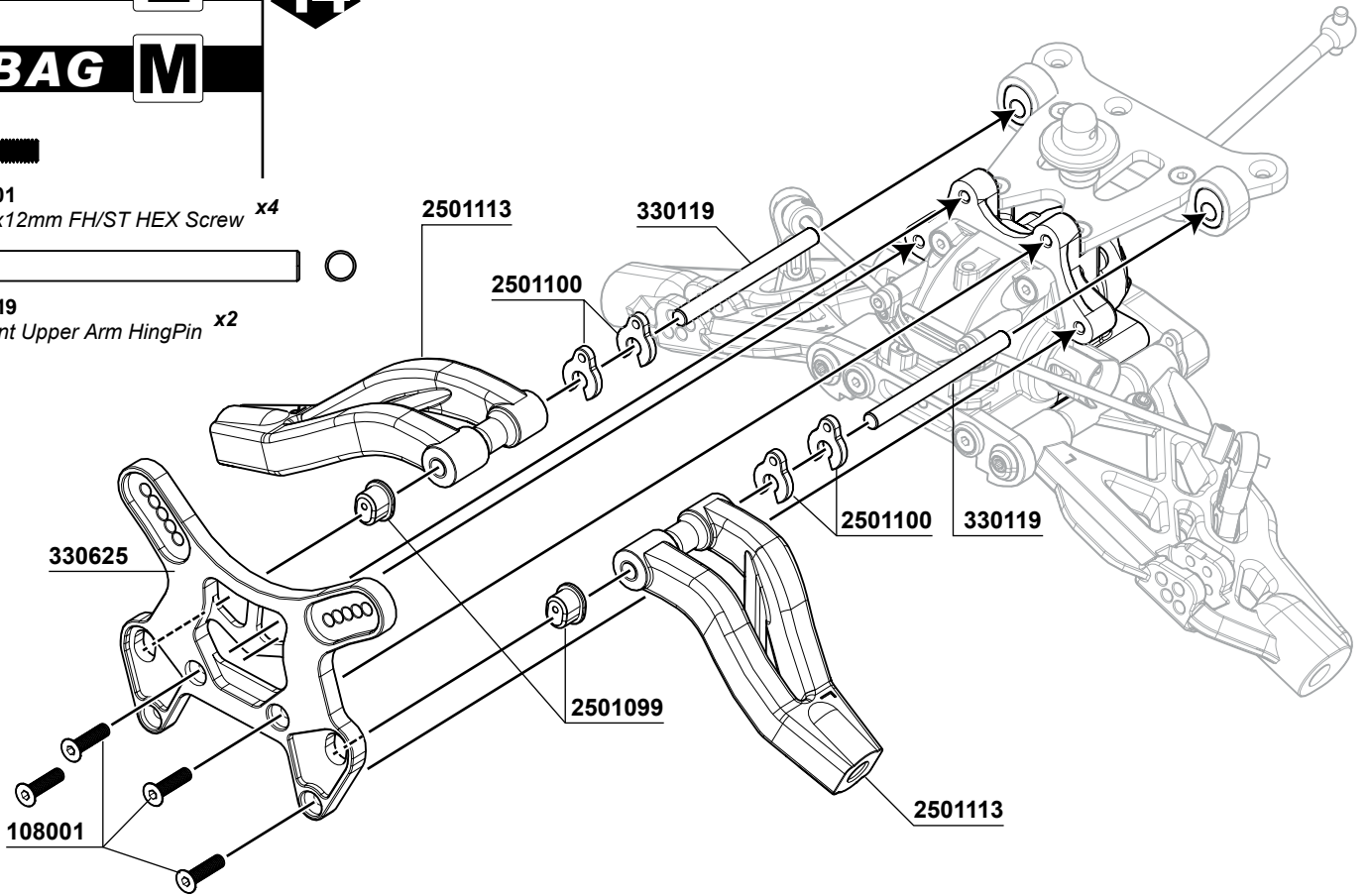
BAG M



108001
M3x12mm FH/ST HEX Screw x4

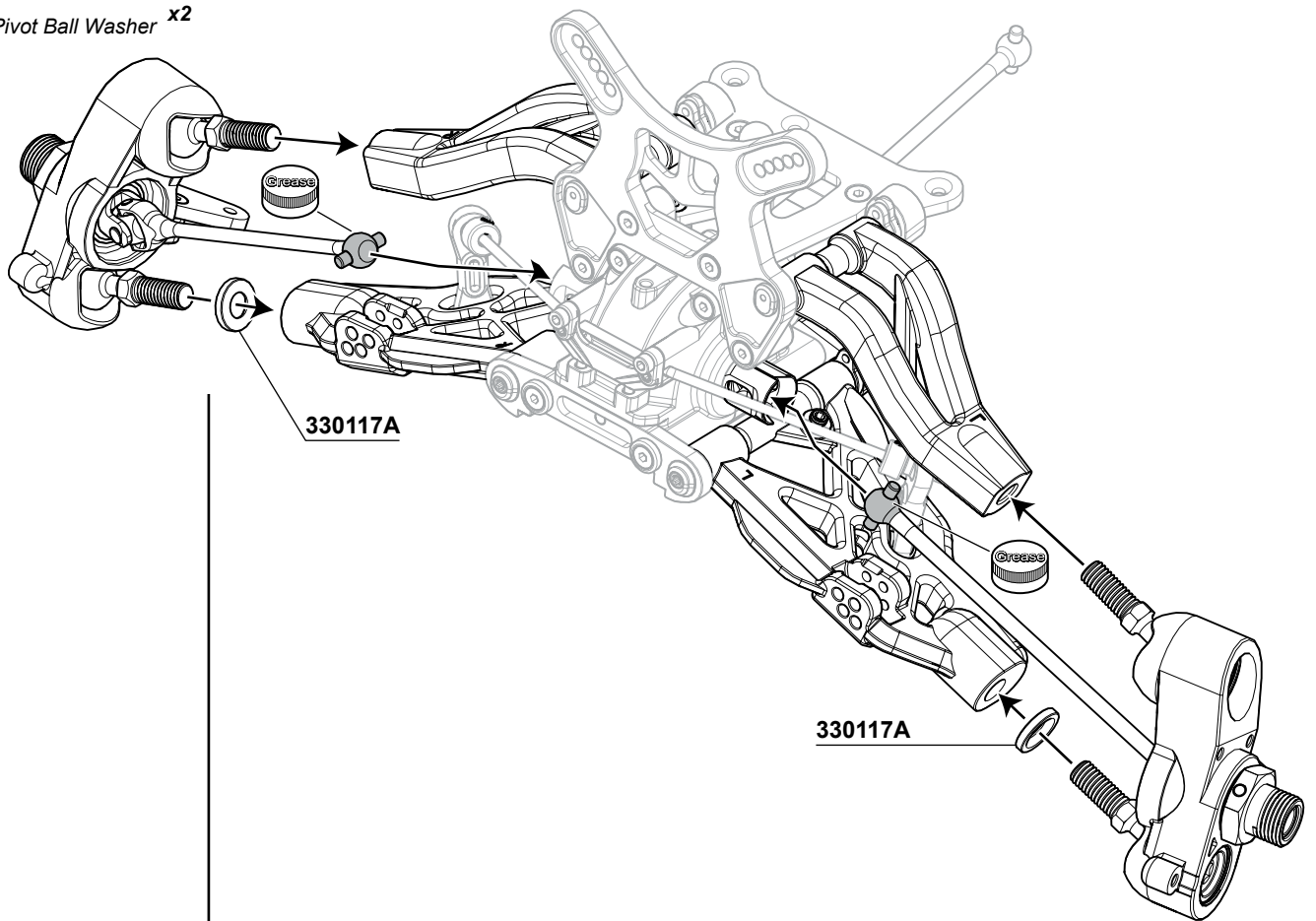


330119
Front Upper Arm HingPin x2



330117A
Knuckle Pivot Ball Washer x2

15





103001
M3 Nut Lock x2



101021
M3x8xT0.8mm x4



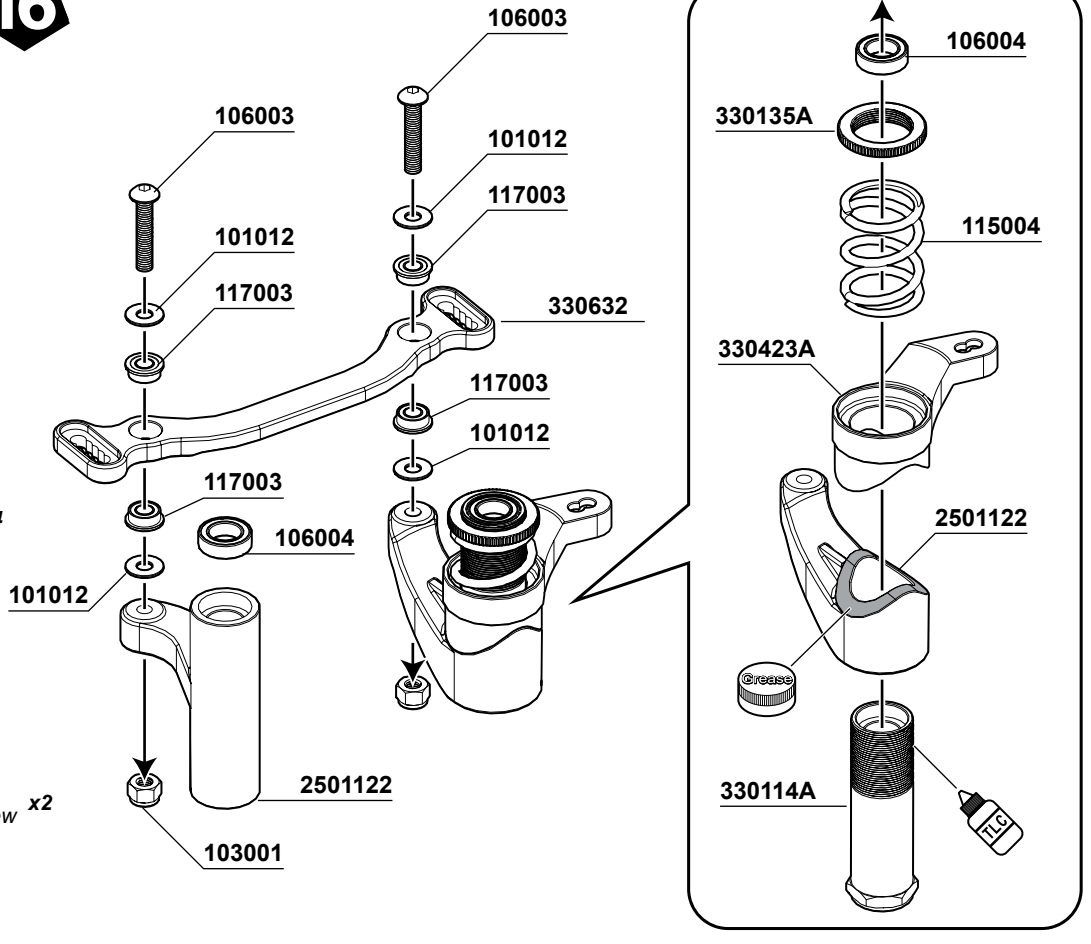
117003
Flange Ball Bearing 3x6x2.5mm x4



116004
Ball Bearing 6x10x3mm x2



106003
M3x16mm Hex Socket OH/TP Screw x2



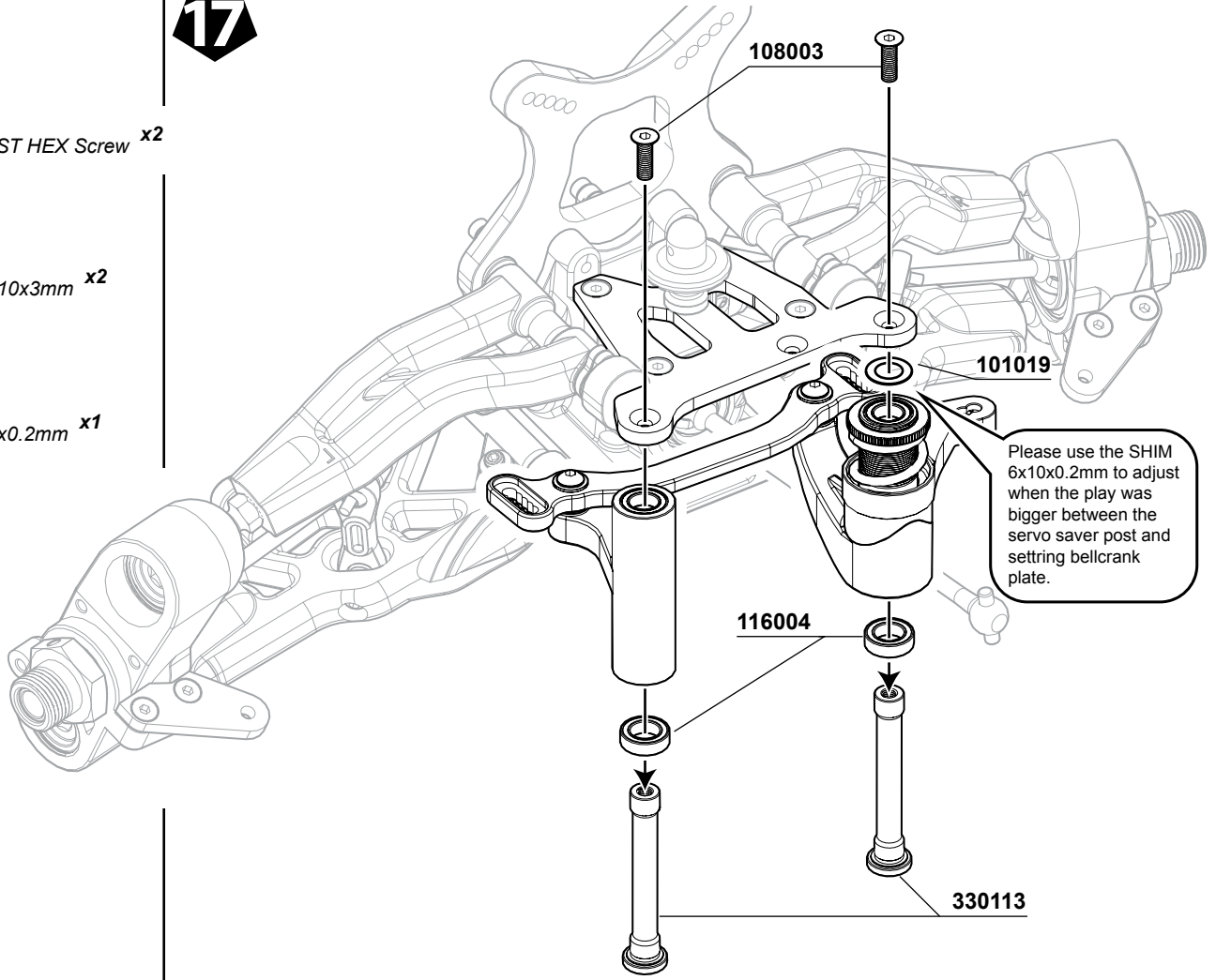
108003
M3x10mm FH/ST HEX Screw x2



116004
Ball Bearing 6x10x3mm x2



101019
SHIM 6.0x10.0x0.2mm x1



BAG E

18



x2

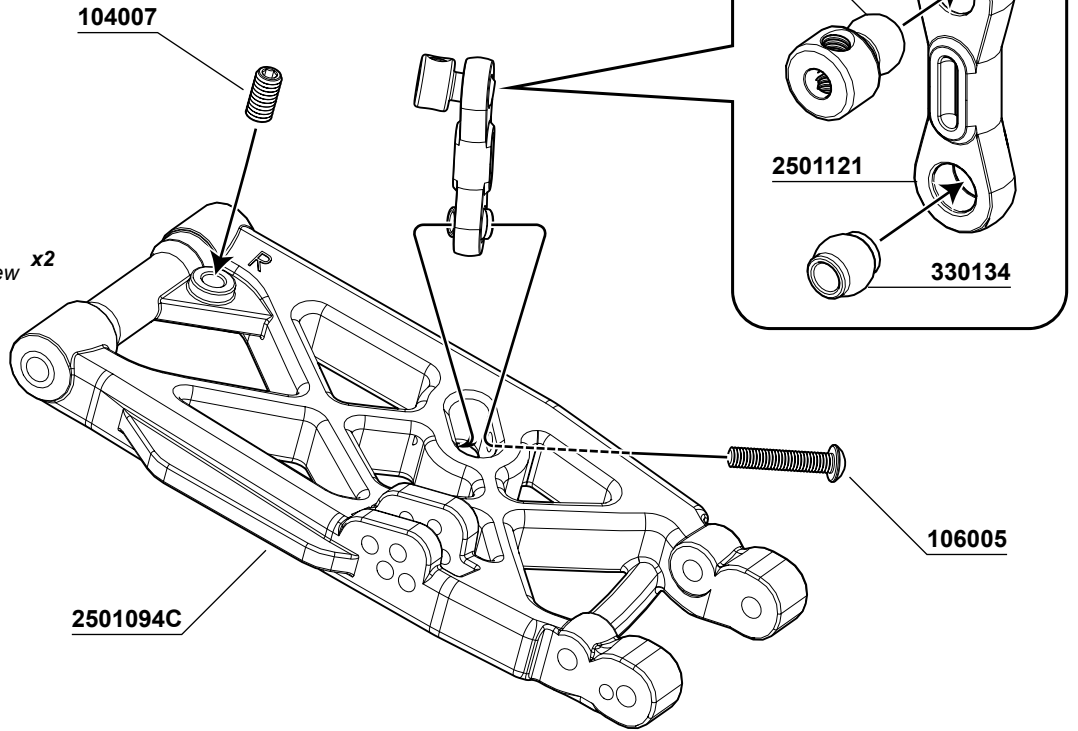
BAG M



104007
M4x8mm Set Screw **x2**



106005
M3x15mm Hex Socket OH/TP Screw **x2**



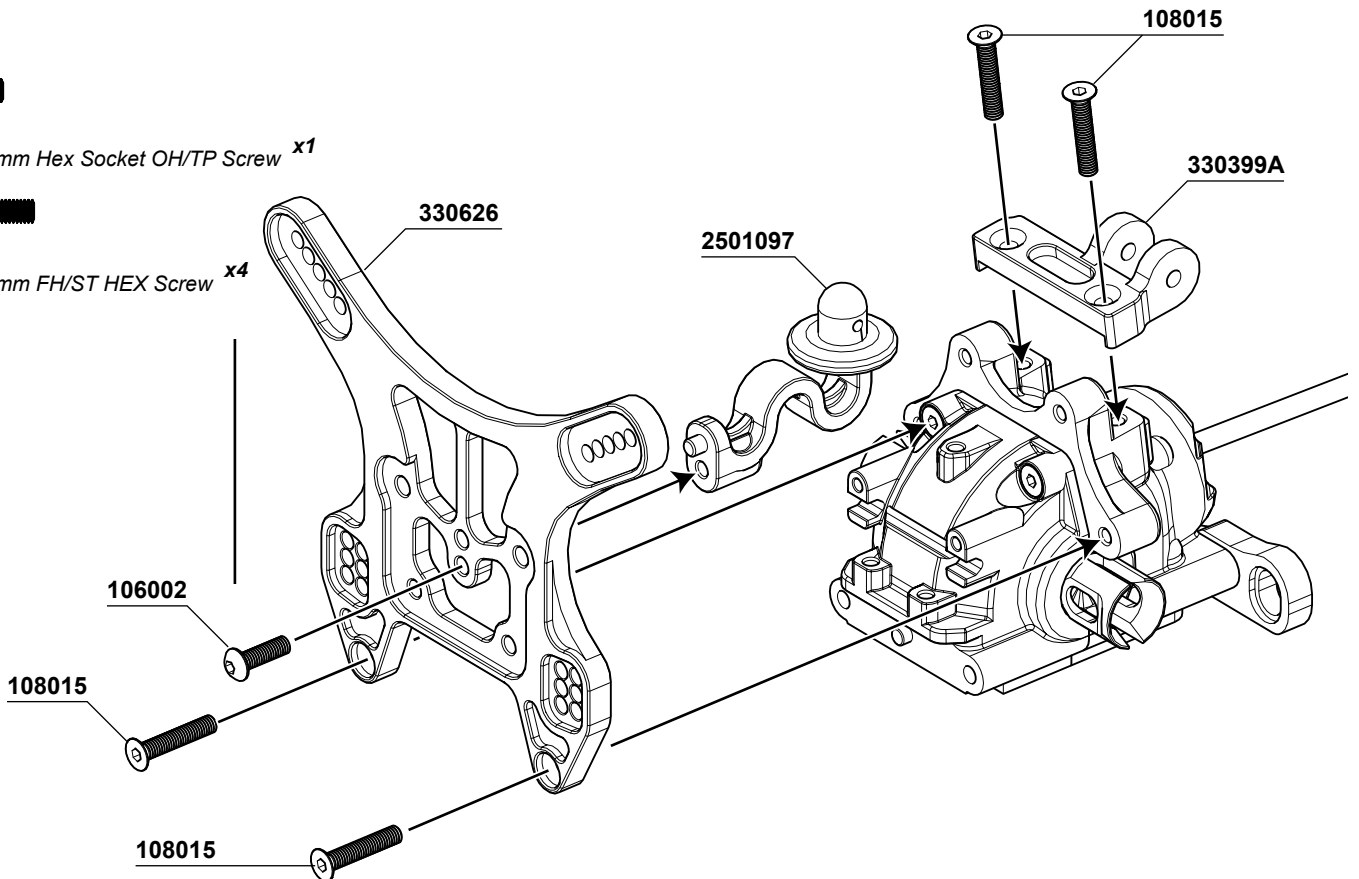
19



106002
M3x10mm Hex Socket OH/TP Screw **x1**



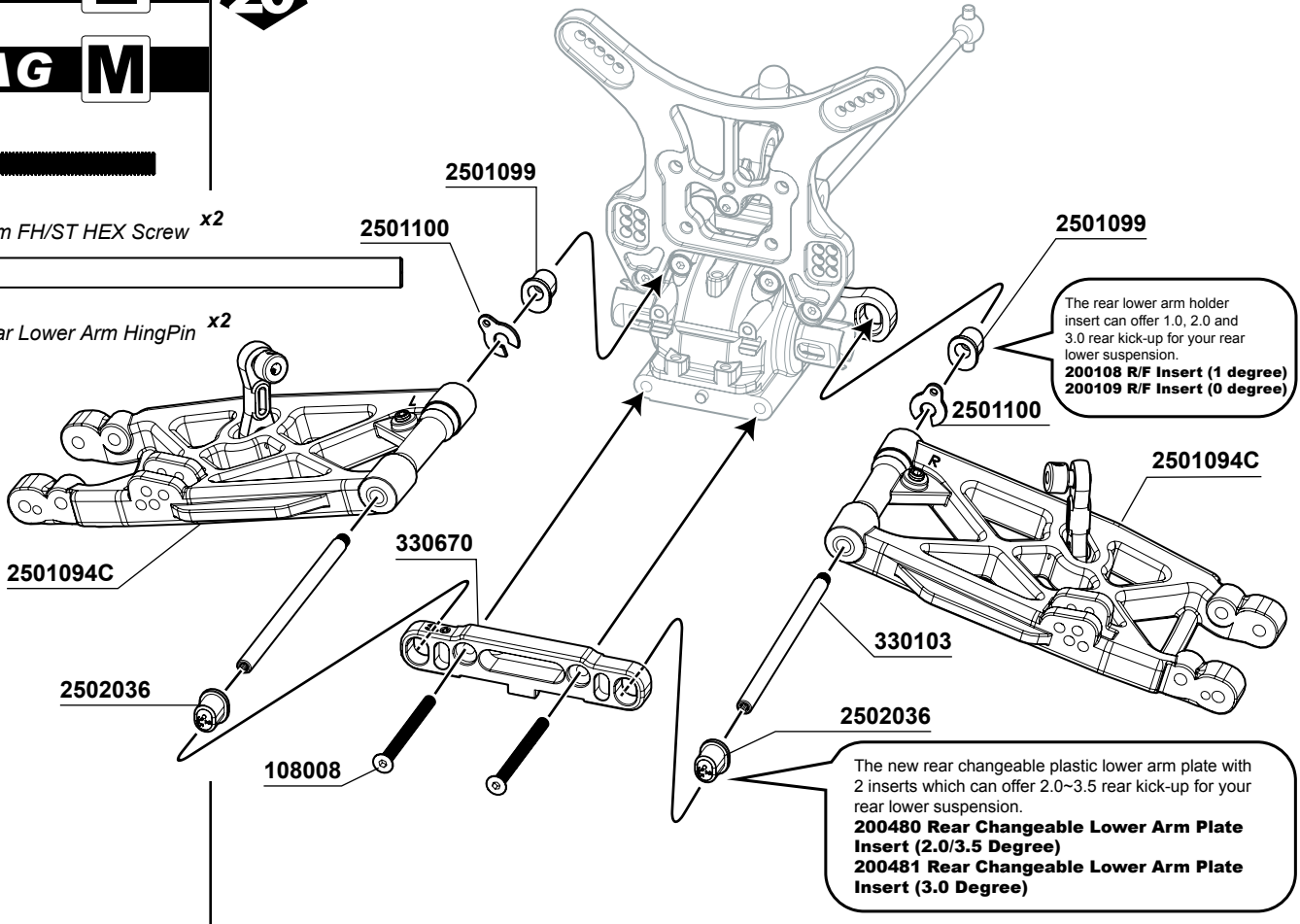
108015
M3x16mm FH/ST HEX Screw **x4**



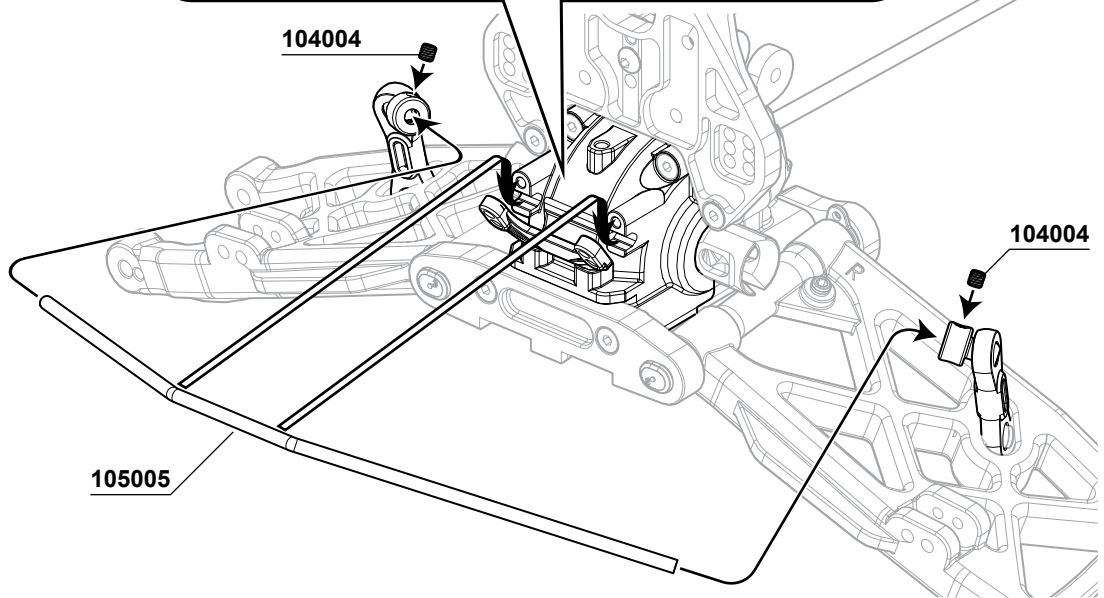
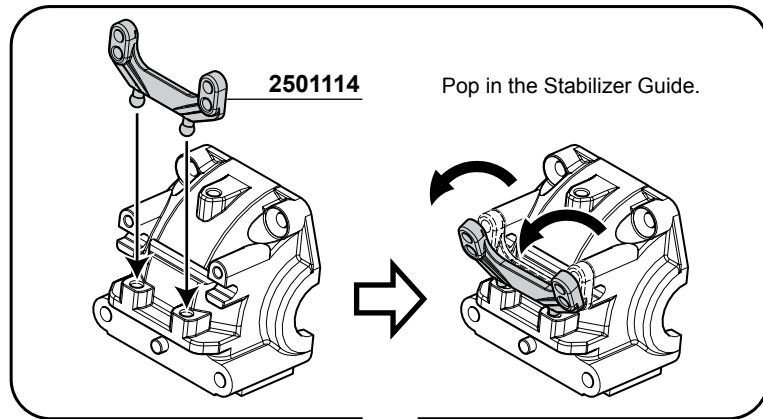
BAG E**20****BAG M**

108008
M3x35mm FH/ST HEX Screw x2

330103
Front/Rear Lower Arm HingPin x2



104004
M3x3mm Set Screw x2

21

BAG E

22

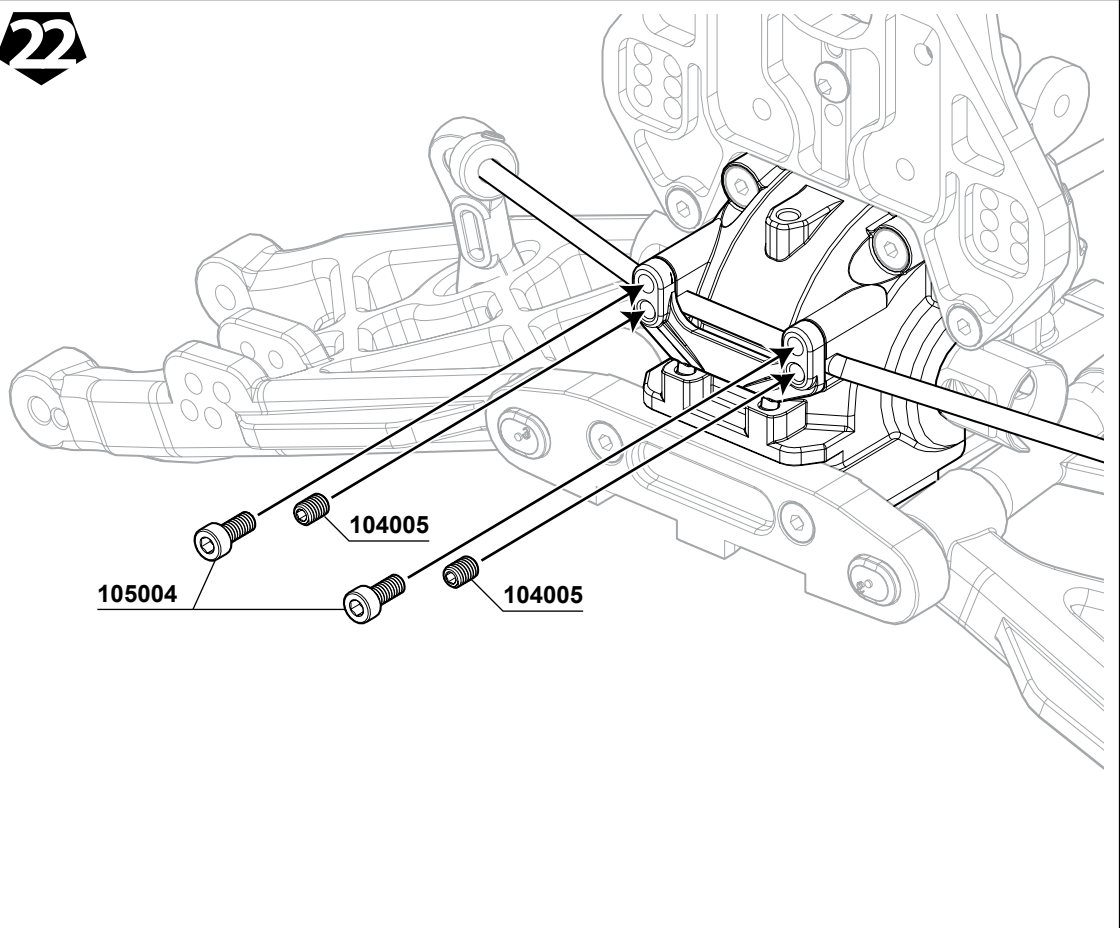
BAG M



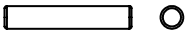
104005
M3x4mm Set Screw x2



105004
M2.6x6mm Cap Screw x2



104001
M5x4mm Set Screw x2

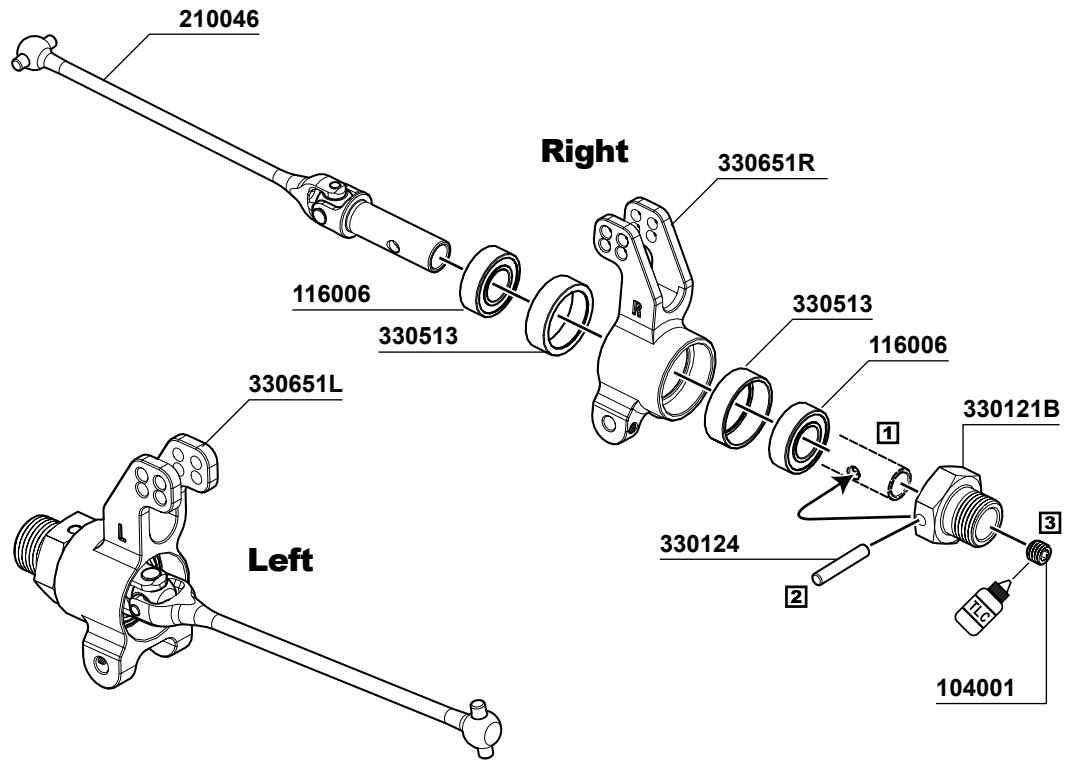


330124
Pin M3.0x16.8mm x2



116006
Ball Bearing 8x16x5mm x2

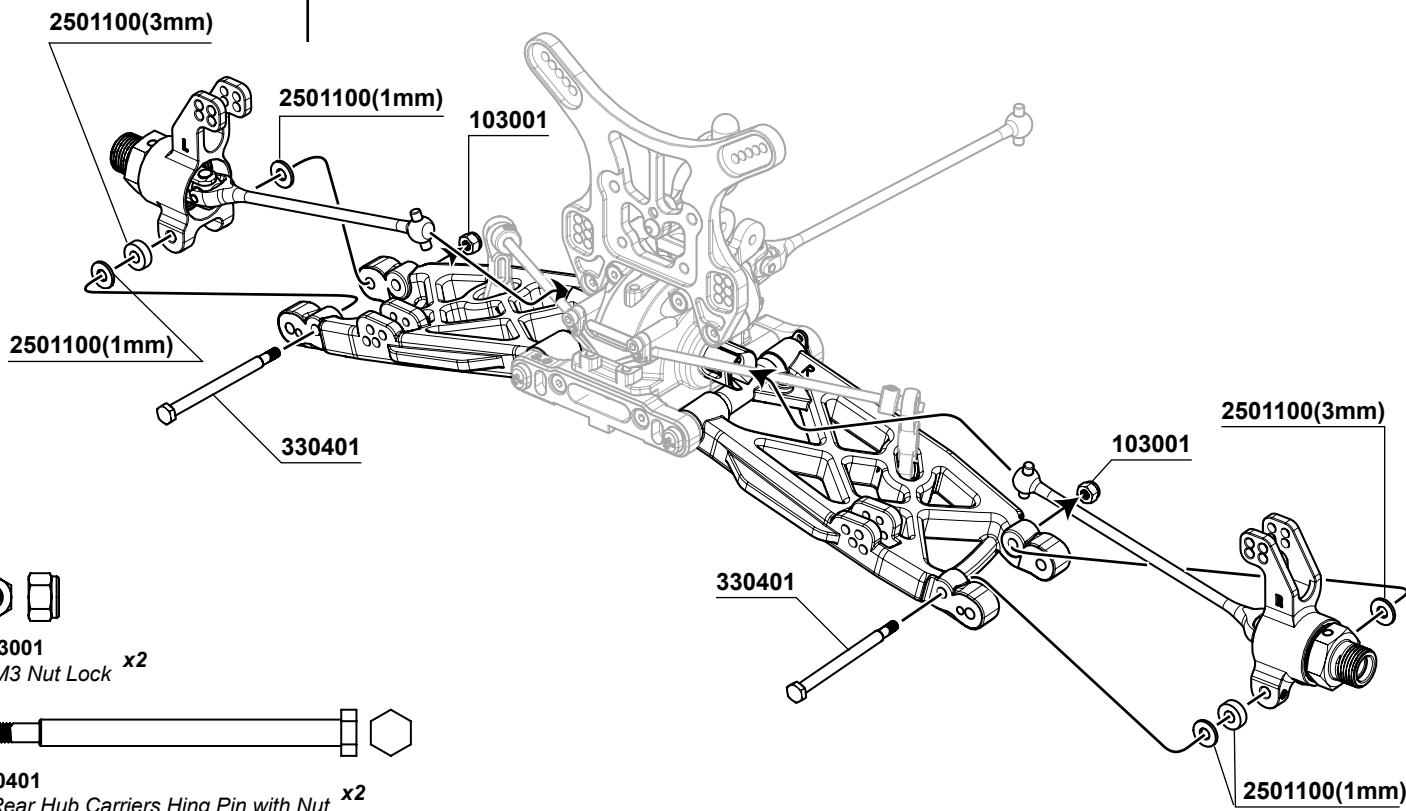
23



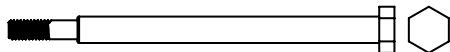
BAG E

24

BAG M



103001
M3 Nut Lock x2



330401
Rear Hub Carriers Hing Pin with Nut x2

BAG E

25

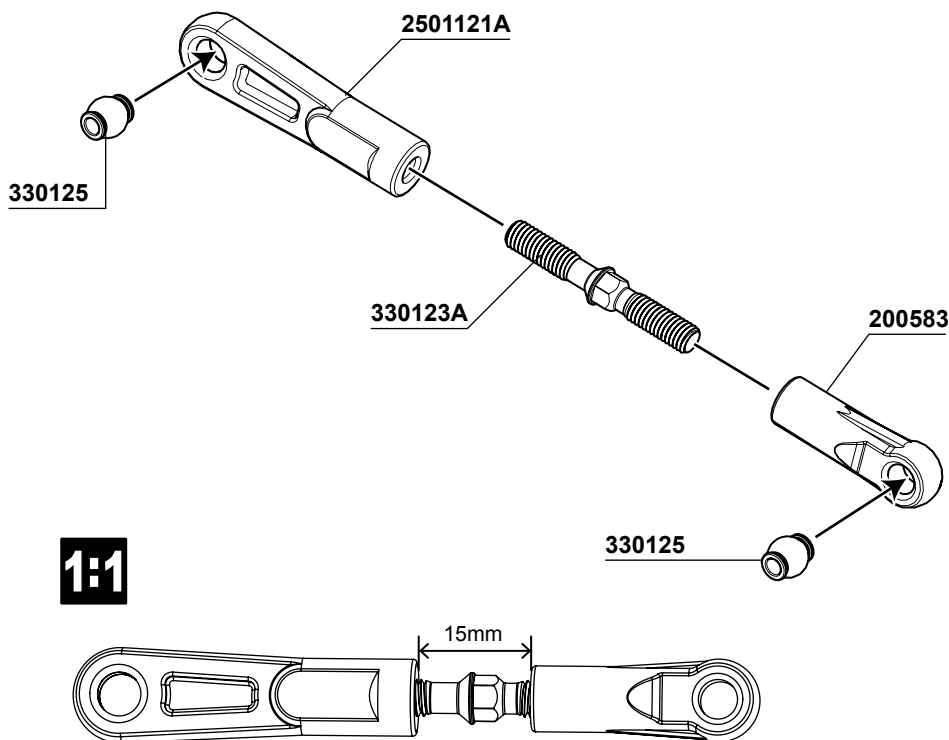


x2

BAG M1



330123A
Rear Upper Sus. Arm Turnbuckles x2



1:1

BAG E

26



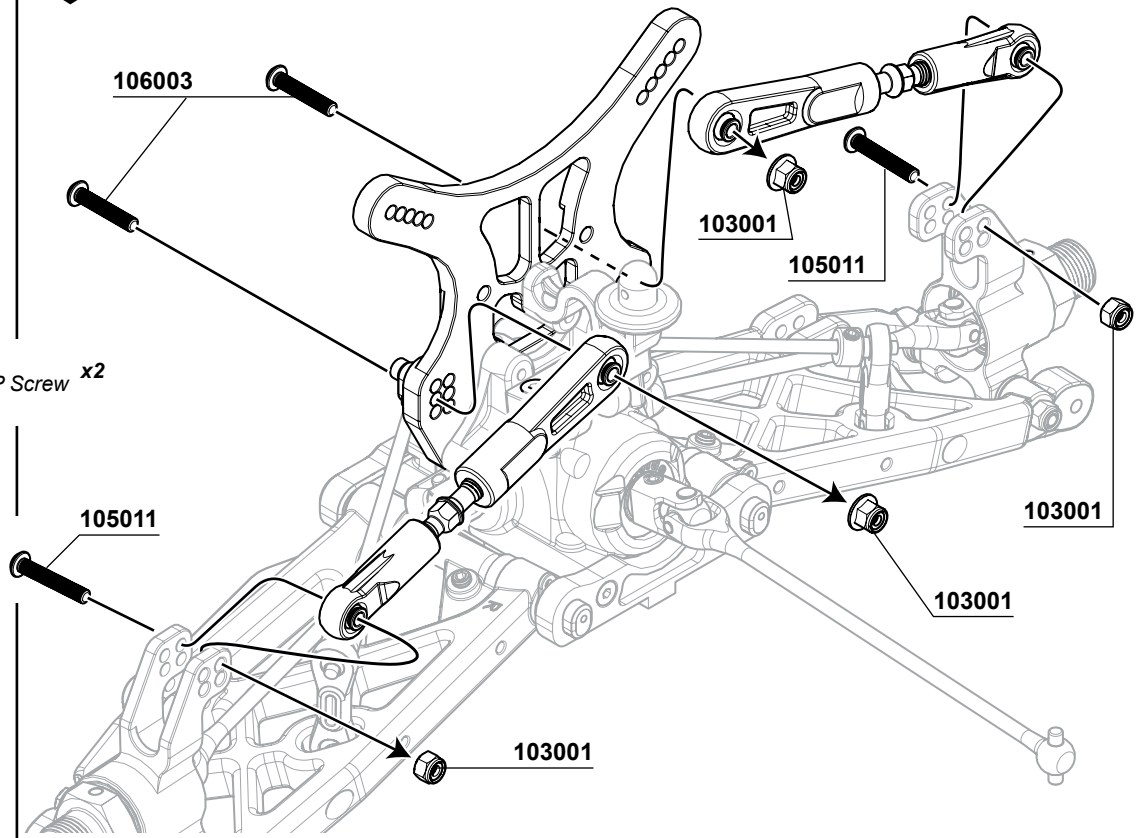
103001
M3 Nut Lock x4



105011
M3x23mm Cap Screw x2



106003
M3x16mm Hex Socket OH/TP Screw x2

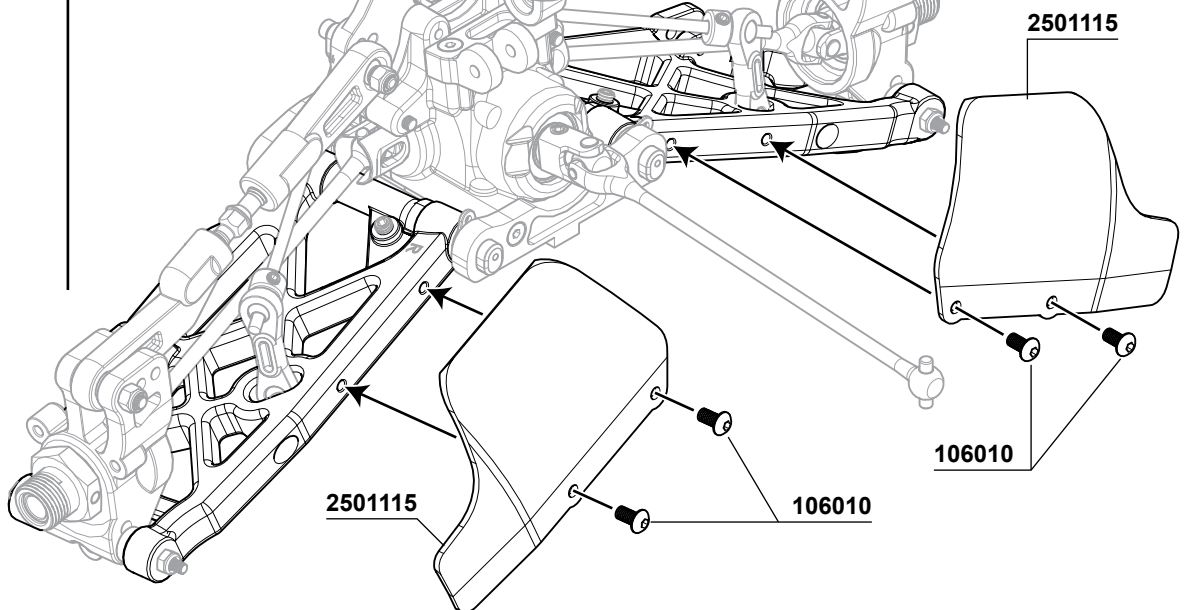
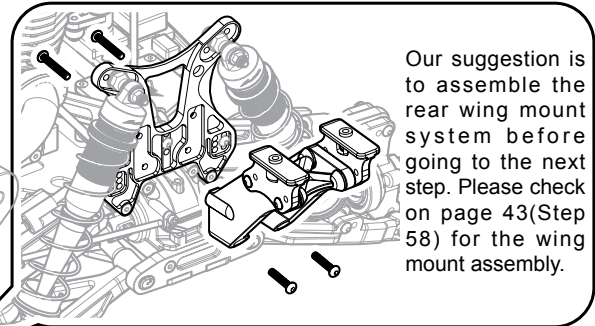


BAG G

27



106010
M3x6mm Hex Socket OH/TP Screw x4





106007
M3x12mm Hex Socket OH/TP Screw(HT) x4

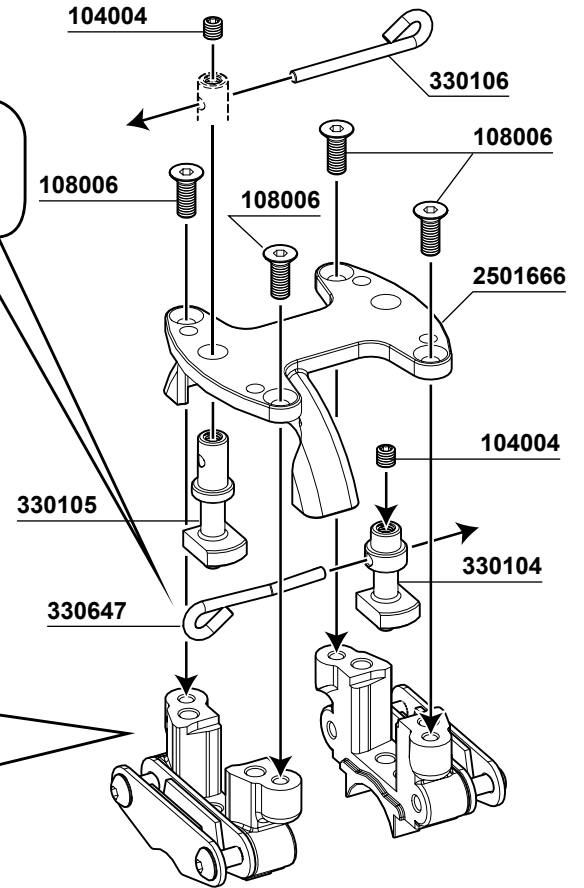
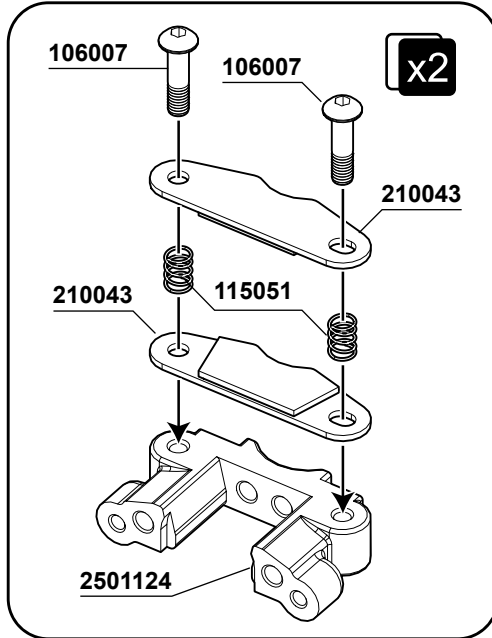


104004
M3x3mm Set Screw x2



108006
M3x8mm FH/ST HEX Screw x4

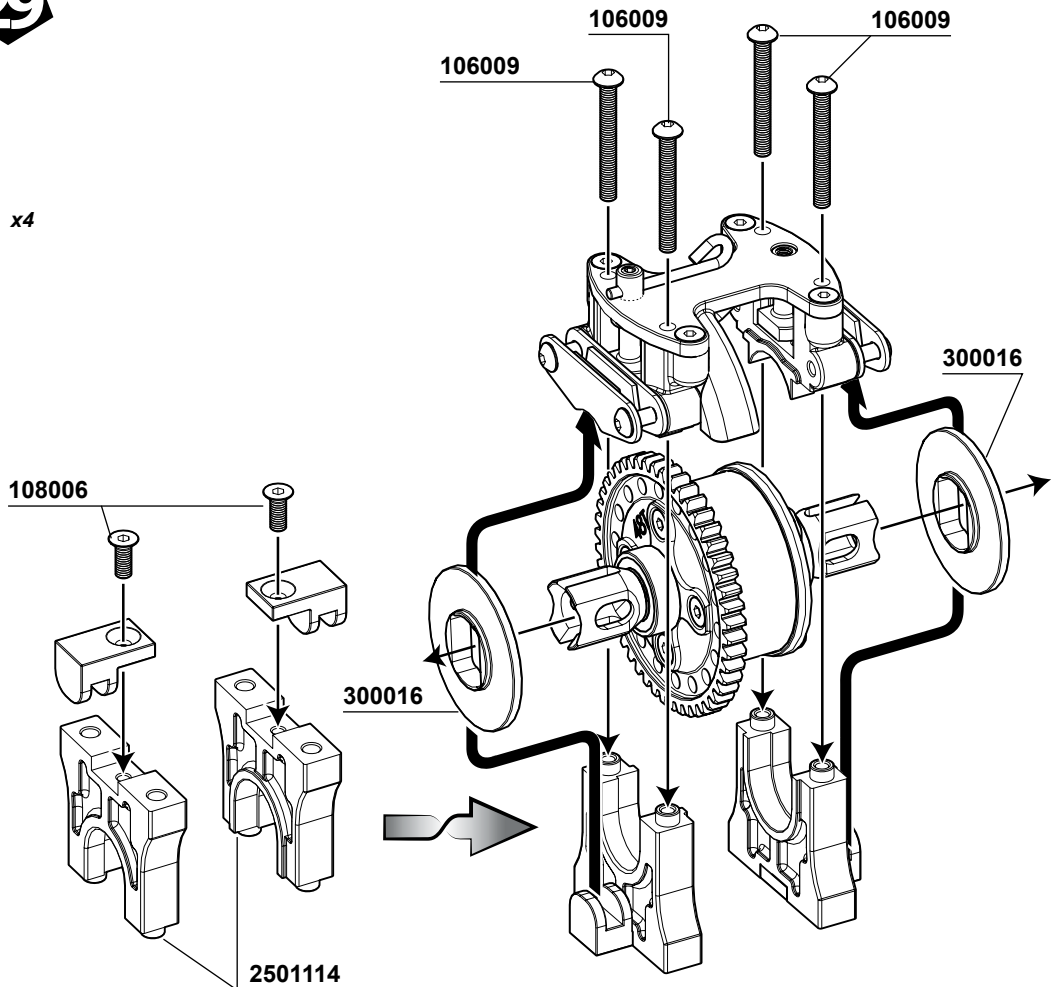
1:1

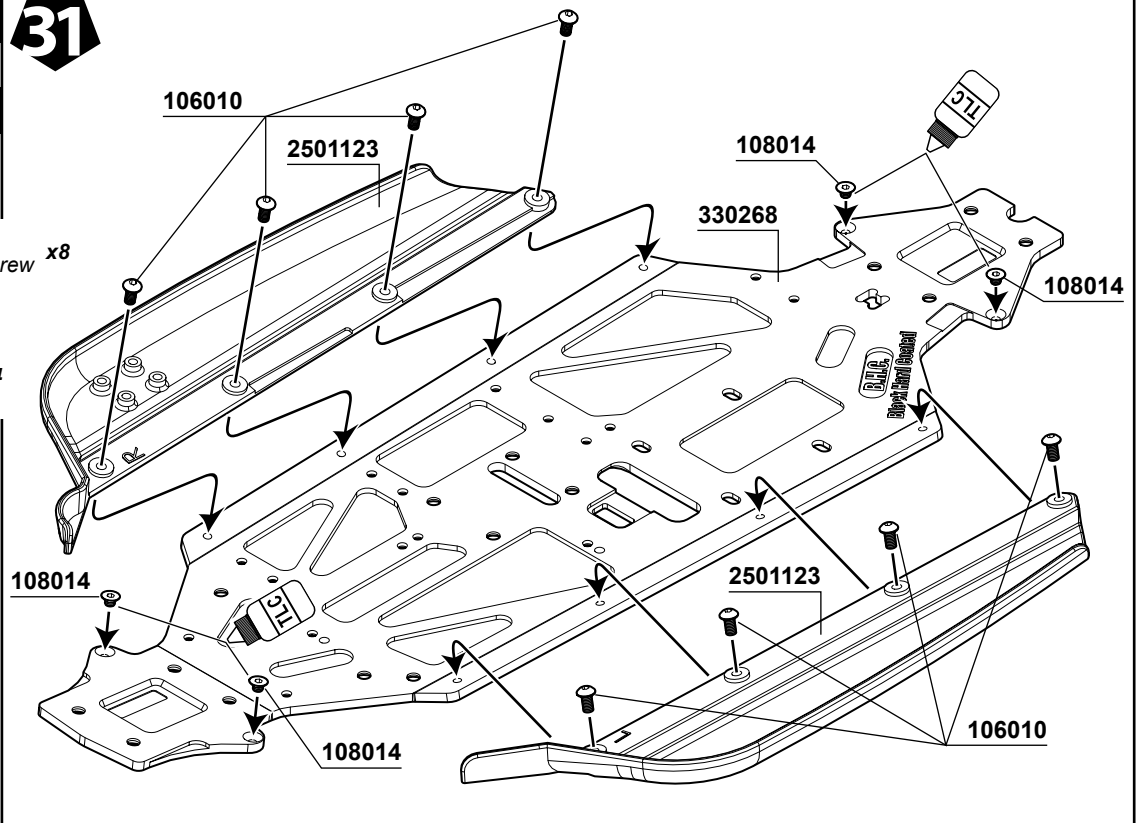
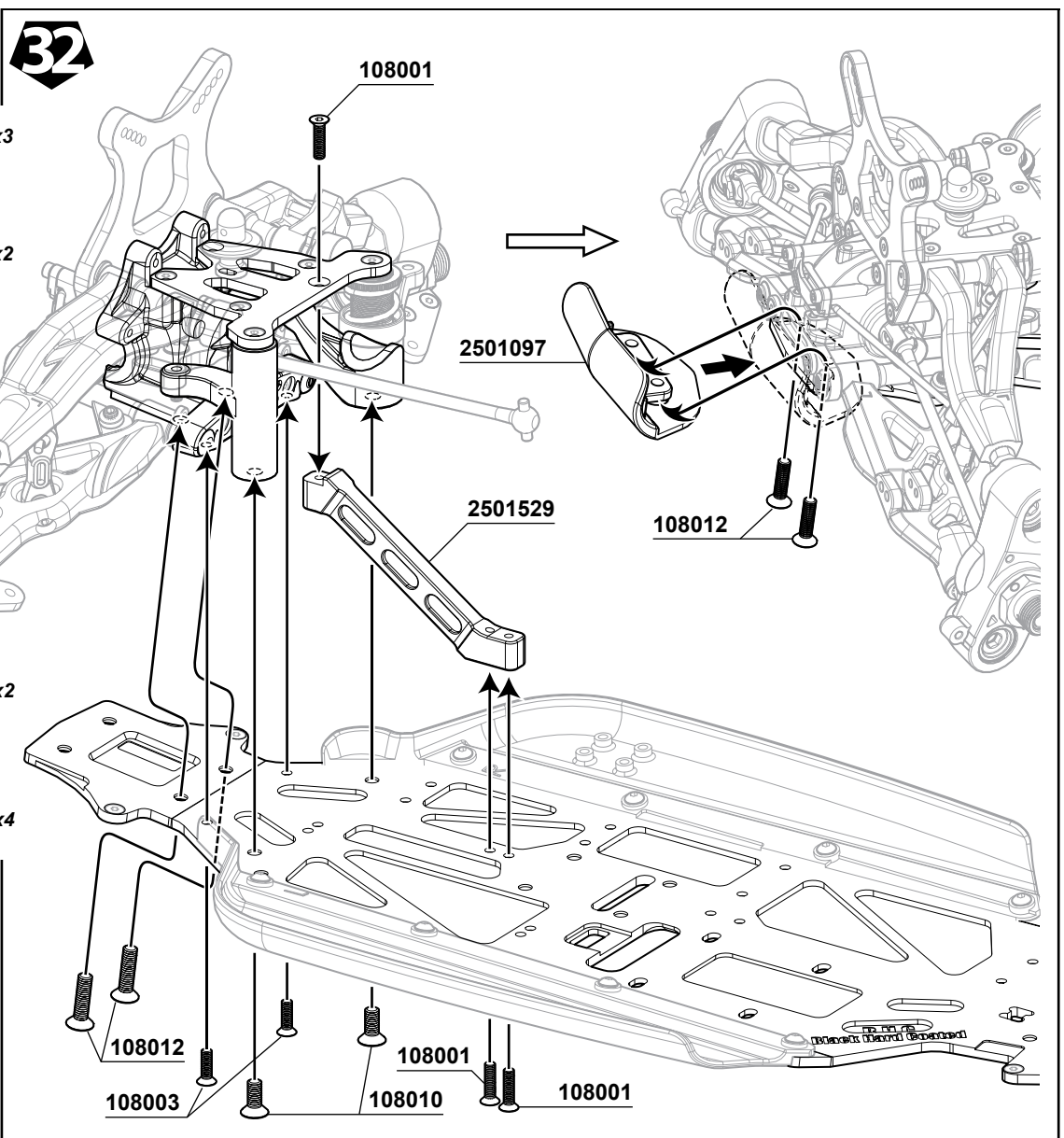


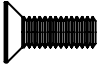
106009
M3x25mm Hex Socket OH/TP Screw x4



108006
M3x8mm FH/ST HEX Screw x2

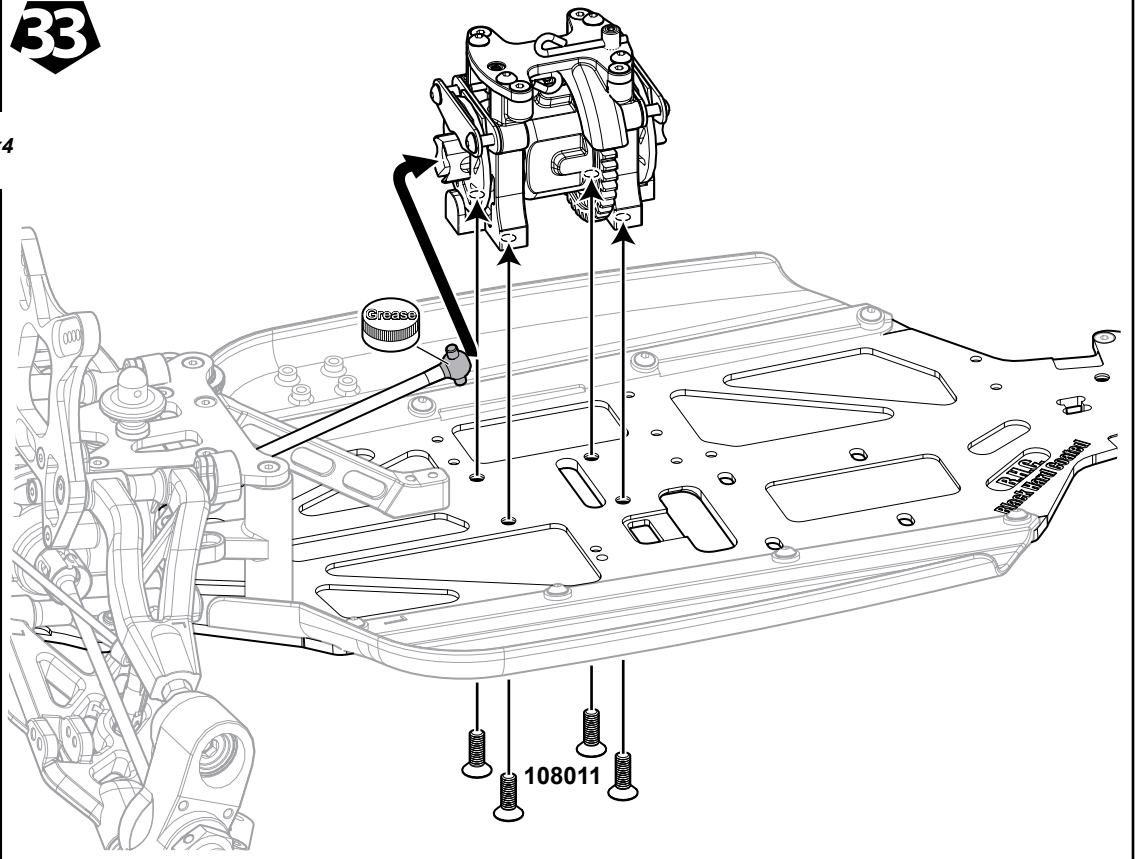


BAG F**31****BAG M1****106010**
M3x6mm Hex Socket OH/TP Screw x8**108014**
M3x3mm FH/ST HEX Screw x4**108001**
M3x12mm FH/ST HEX Screw x3**108003**
M3x10mm FH/ST HEX Screw x2**32****108010**
M4x10mm FH/ST HEX Screw x2**108012**
M4x16mm FH/ST HEX Screw x4



108011
M4x12mm FH/ST HEX Screw x4

33



108001
M3x12mm FH/ST HEX Screw x2



108012
M4x16mm FH/ST HEX Screw x4

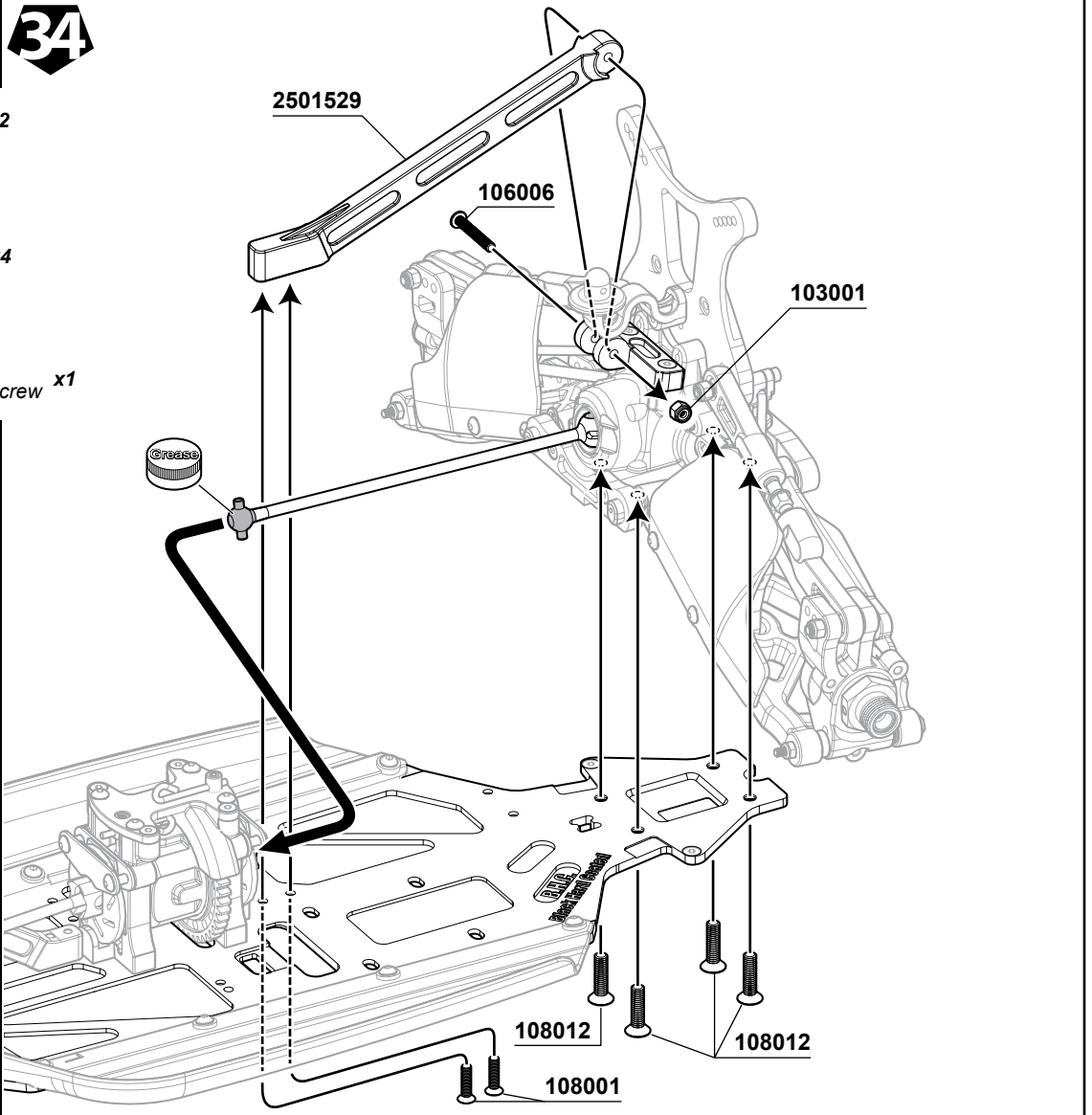


106006
M3x20mm Hex Socket OH/TP Screw x1



103001
M3 Nut Lock x1

34



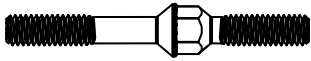
BAG E

35

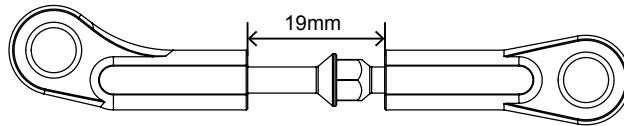
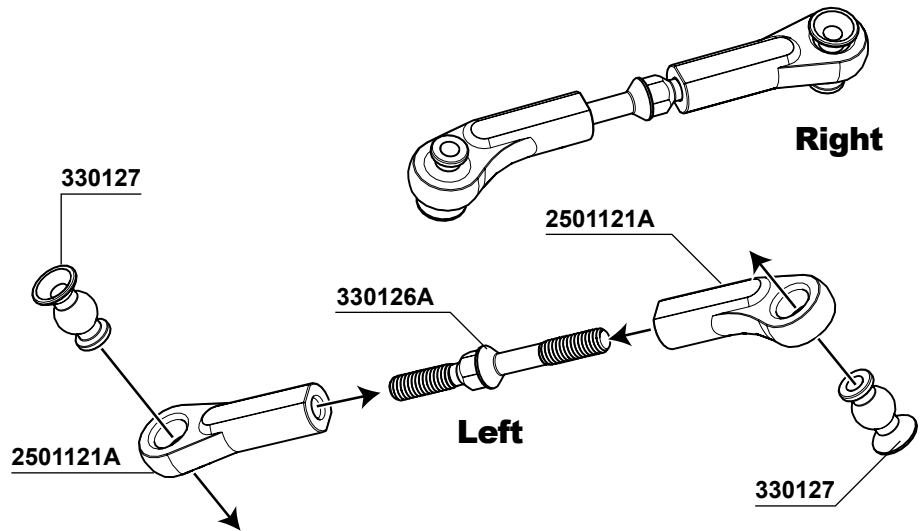


x2

BAG M1



330126A
Steering Turnbuckle **x2**



1:1

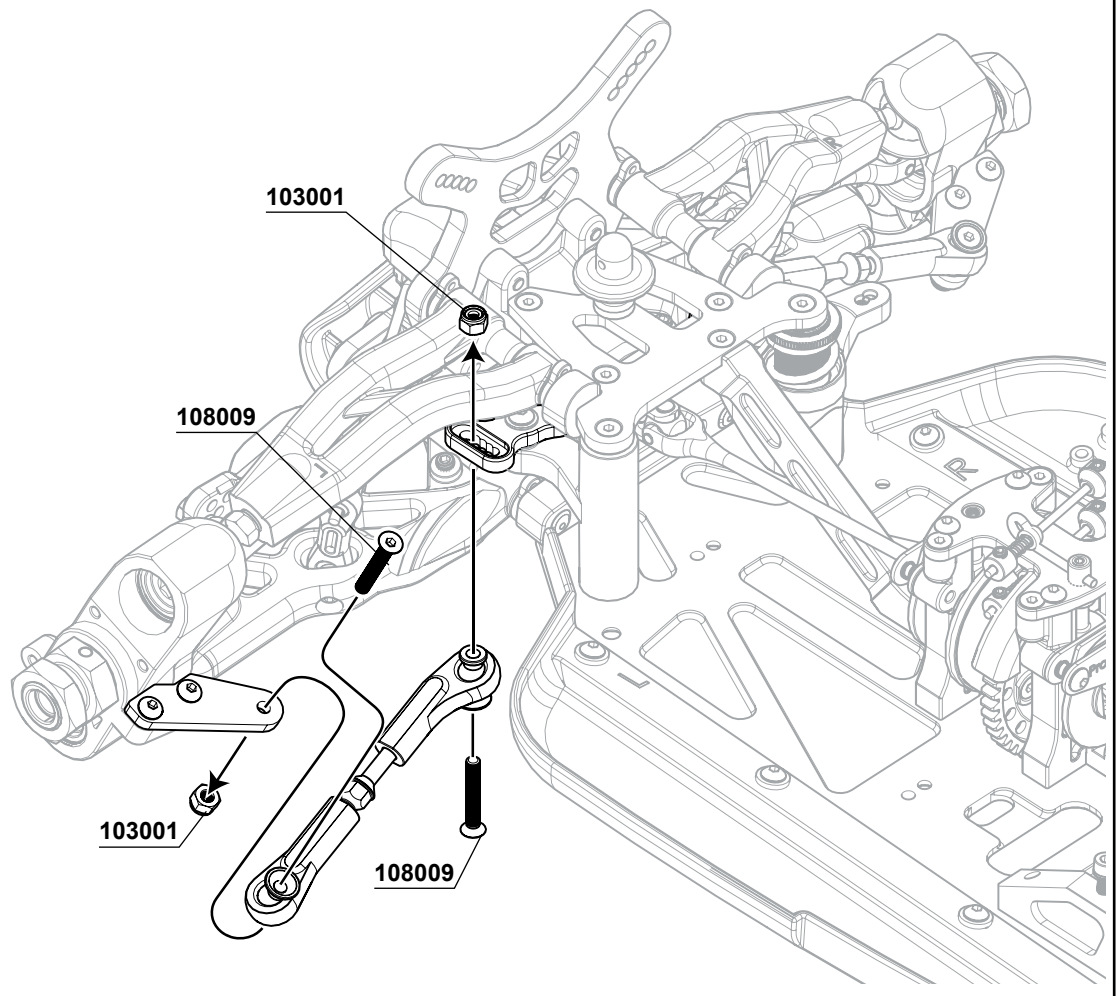


103001
M3 Nut Lock **x4**



108009
M3x20mm FH/ST HEX Screw **x4**

36



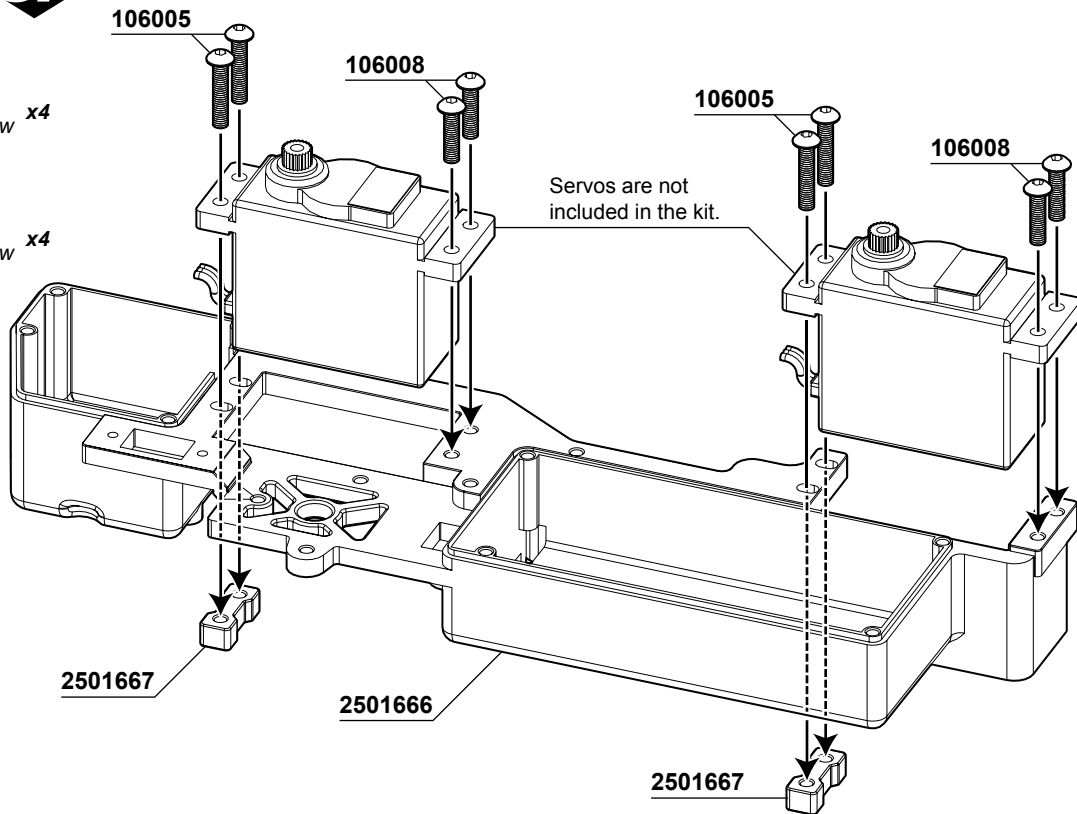
BAG M2 37



106008
M3x12mm Hex Soket OH/TP Screw x4



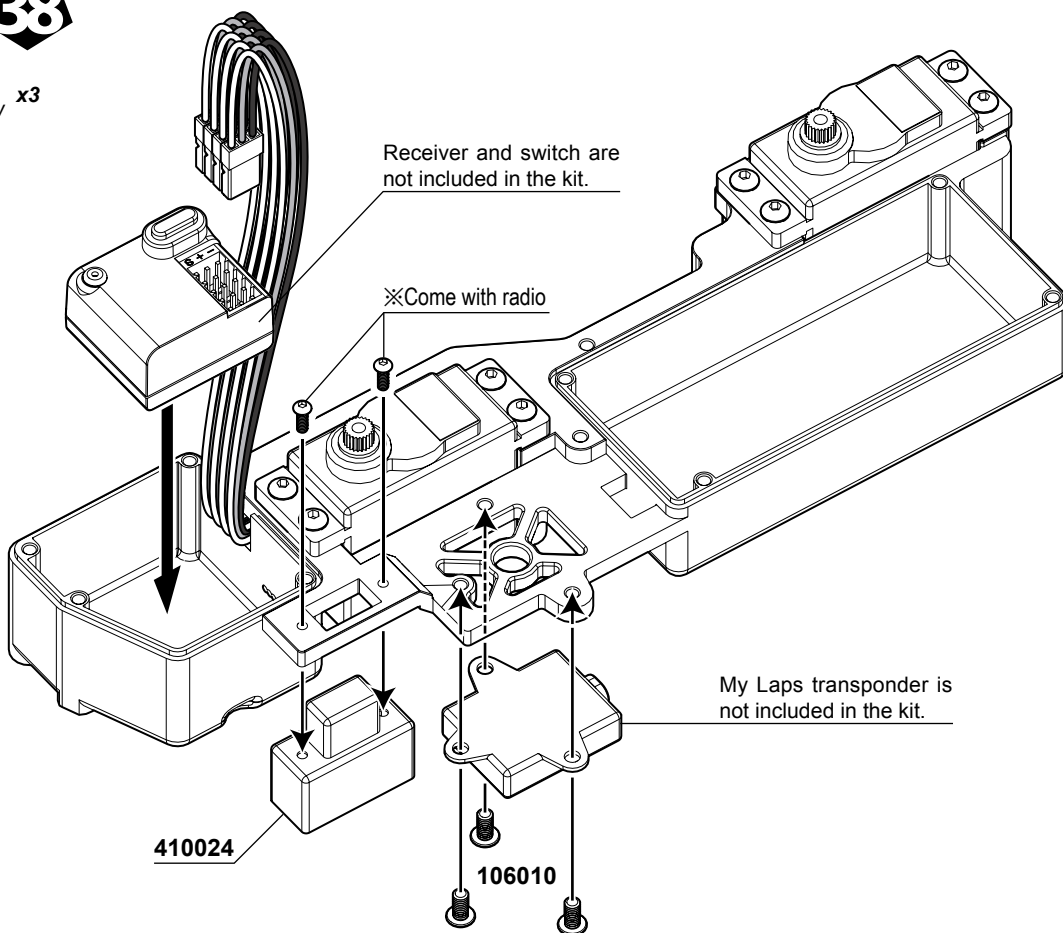
106005
M3x15mm Hex Soket OH/TP Screw x4



38



106010
M3x6mm Hex Socket OH/TP Screw x3



BAG M2 39



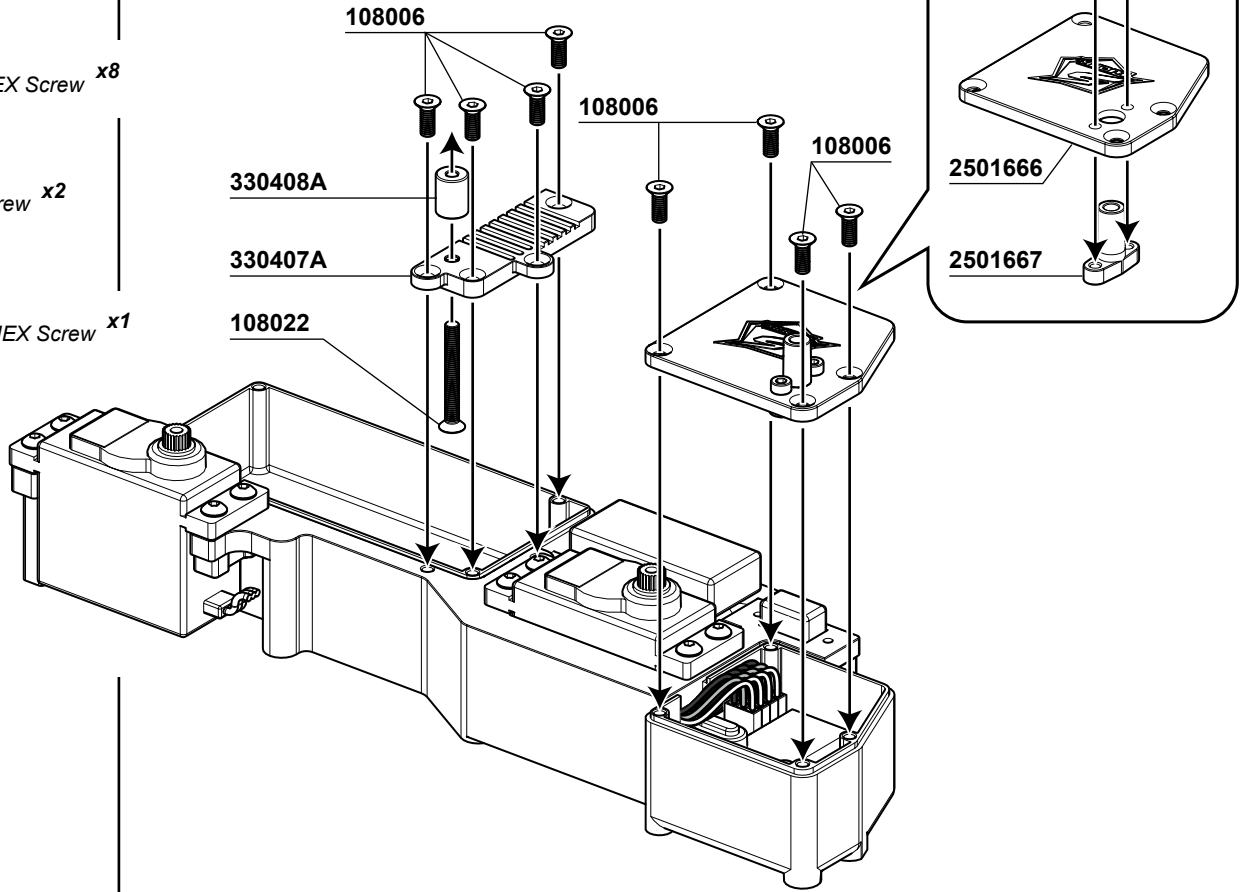
108006
M3x8mm FH/ST HEX Screw x8



105004
M2.6x6mm Cap Screw x2



108022
M3x25mm FH/ST HEX Screw x1



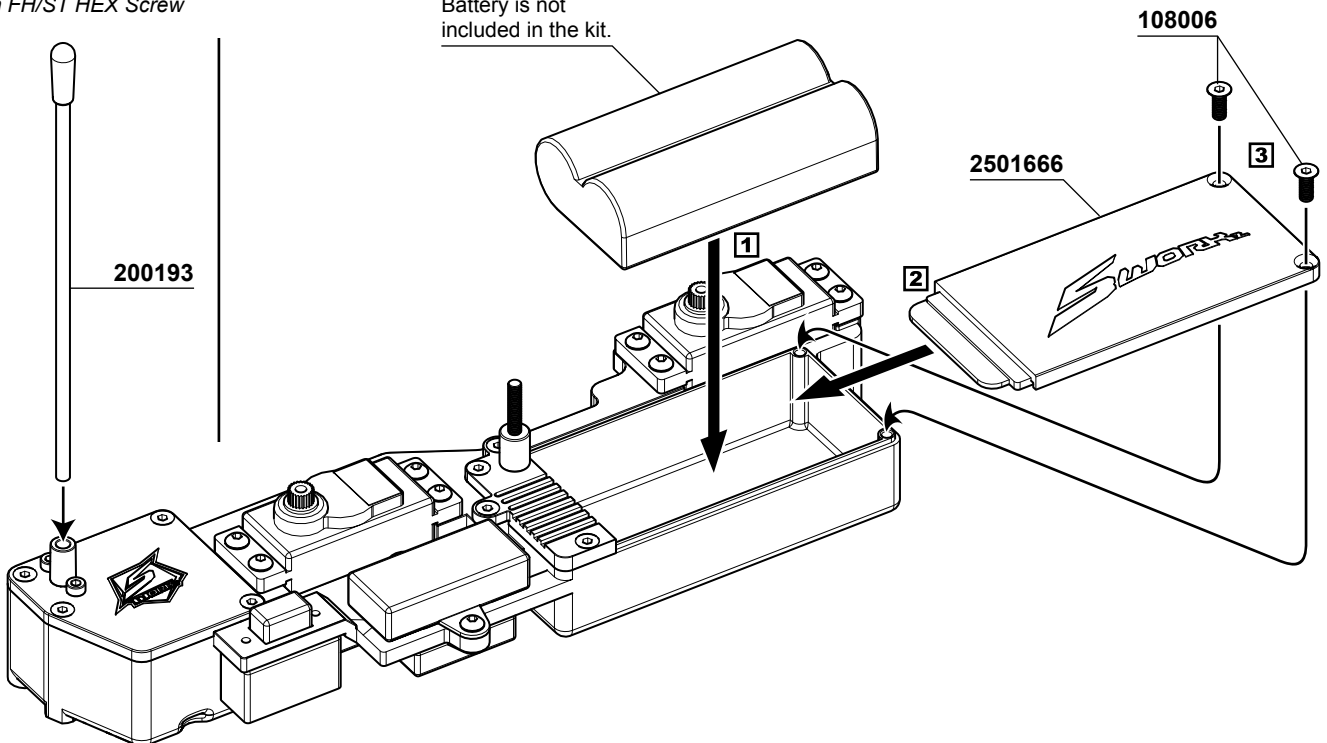
40

1-2
3



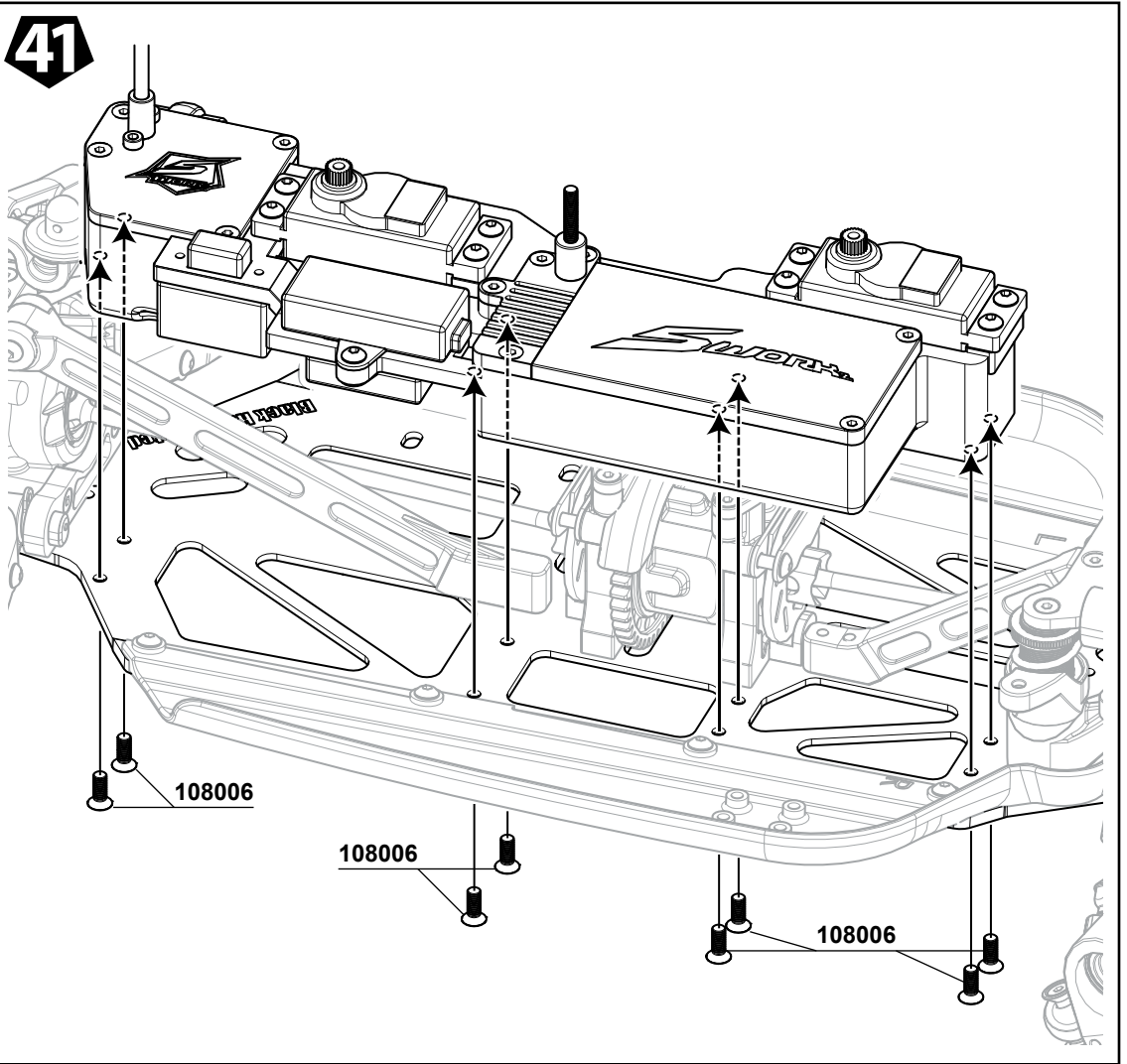
108006
M3x8mm FH/ST HEX Screw x2

Battery is not included in the kit.





108006
M3x8mm FH/ST HEX Screw x8



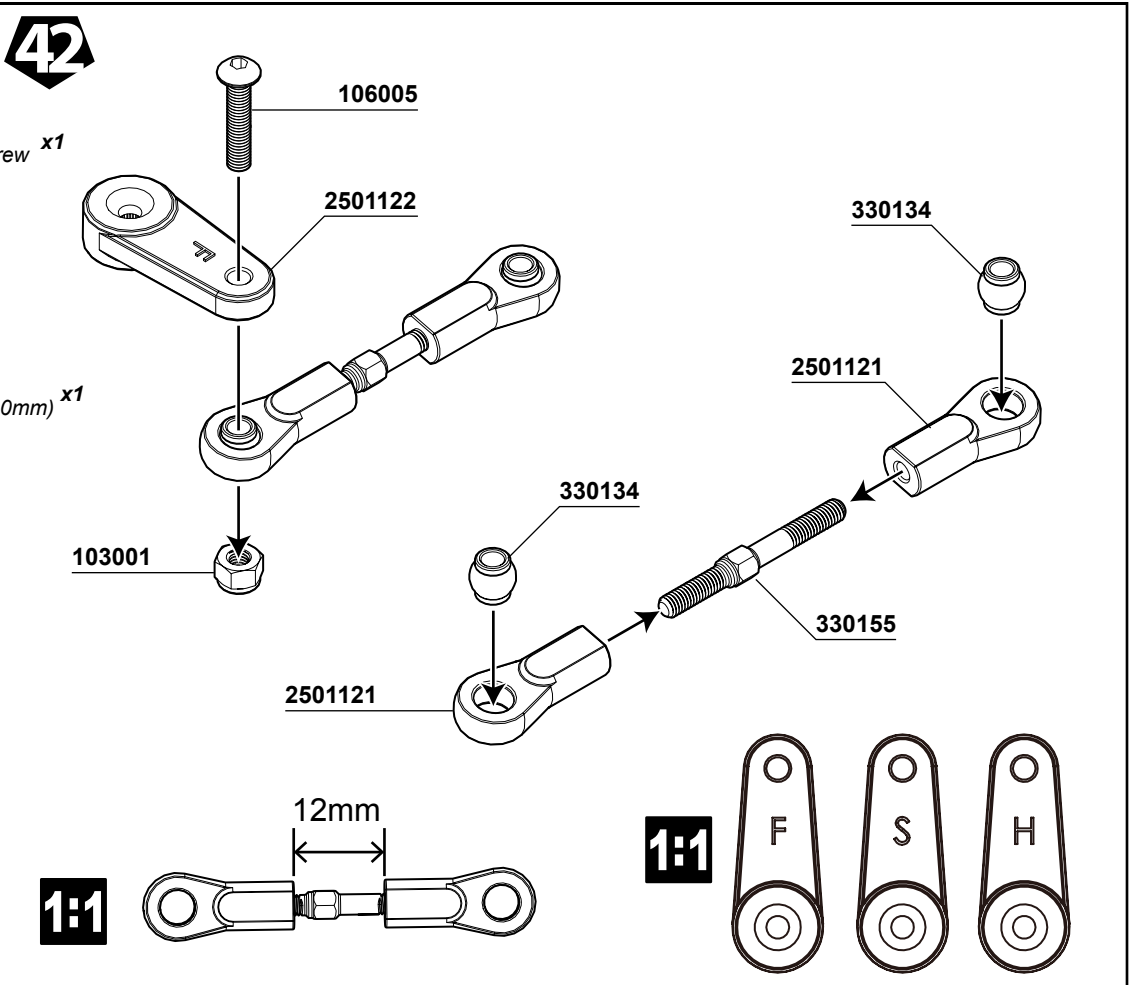
106005
M3x15mm Hex Soket OH/TP Screw x1



103001
M3 Nut Lock x1



330155
Steering Servo Turnbuckle (M3x30mm) x1



BAG M 1 43



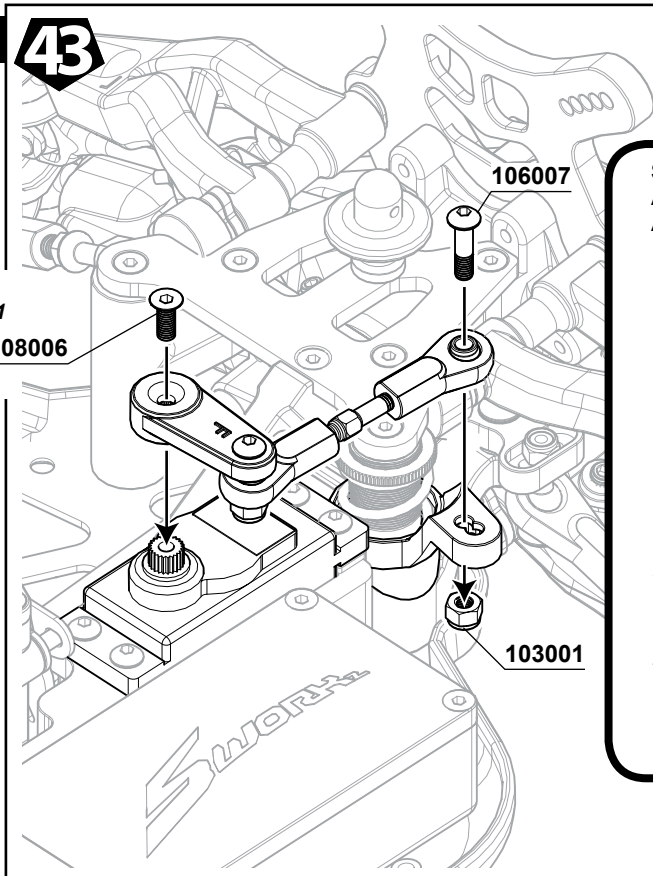
106007
M3x12mm Hex Socket
OH/TP Screw(HT) x8



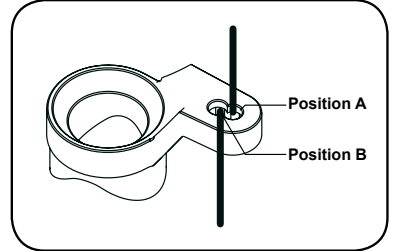
108006
M3x8mm FH/ST HEX Screw x1



103001
M3 Nut Lock x1



SW-330423A S350 PSP System Aluminum Setting Bellcrank Upper (A 2H) Assembly Note



If servo saver arms are not included use this:

Position A: Standard steering response location. Use of a 2.5mm longer servo saver arm is required.

If servo saver arms are included use this:

Position A: Standard steering response location. Use of the included 2.5mm longer servo saver arm is required.

Position B: Quick steering response location. Standard servo saver arm can be used.

BAG G 44



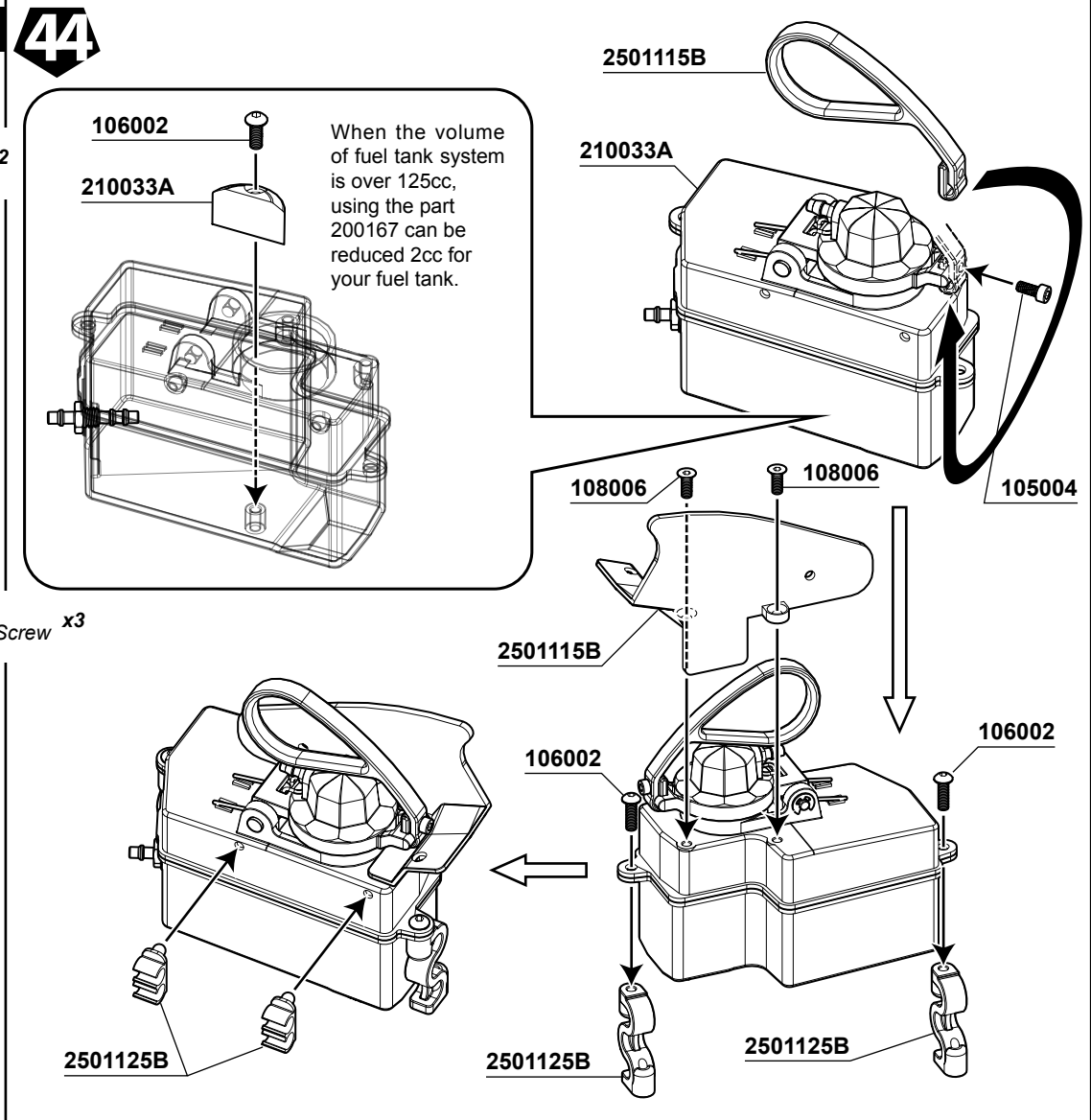
108006
M3x8mm FH/ST HEX Screw x2



105004
M2.6x6mm Cap Screw x1



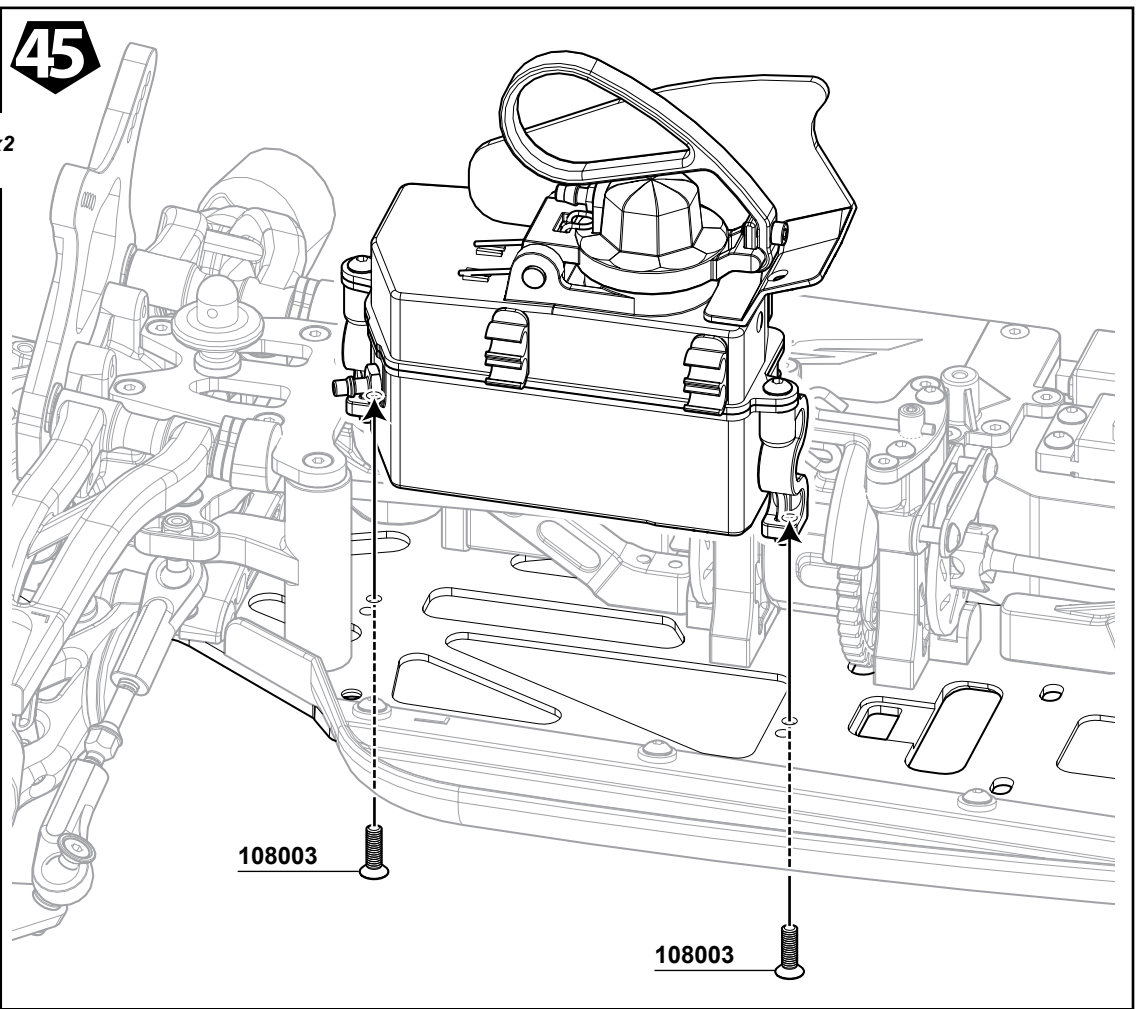
106002
M3x10mm Hex Socket OH/TP Screw x3





108003
M3x10mm FH/ST HEX Screw x2

45



BAG

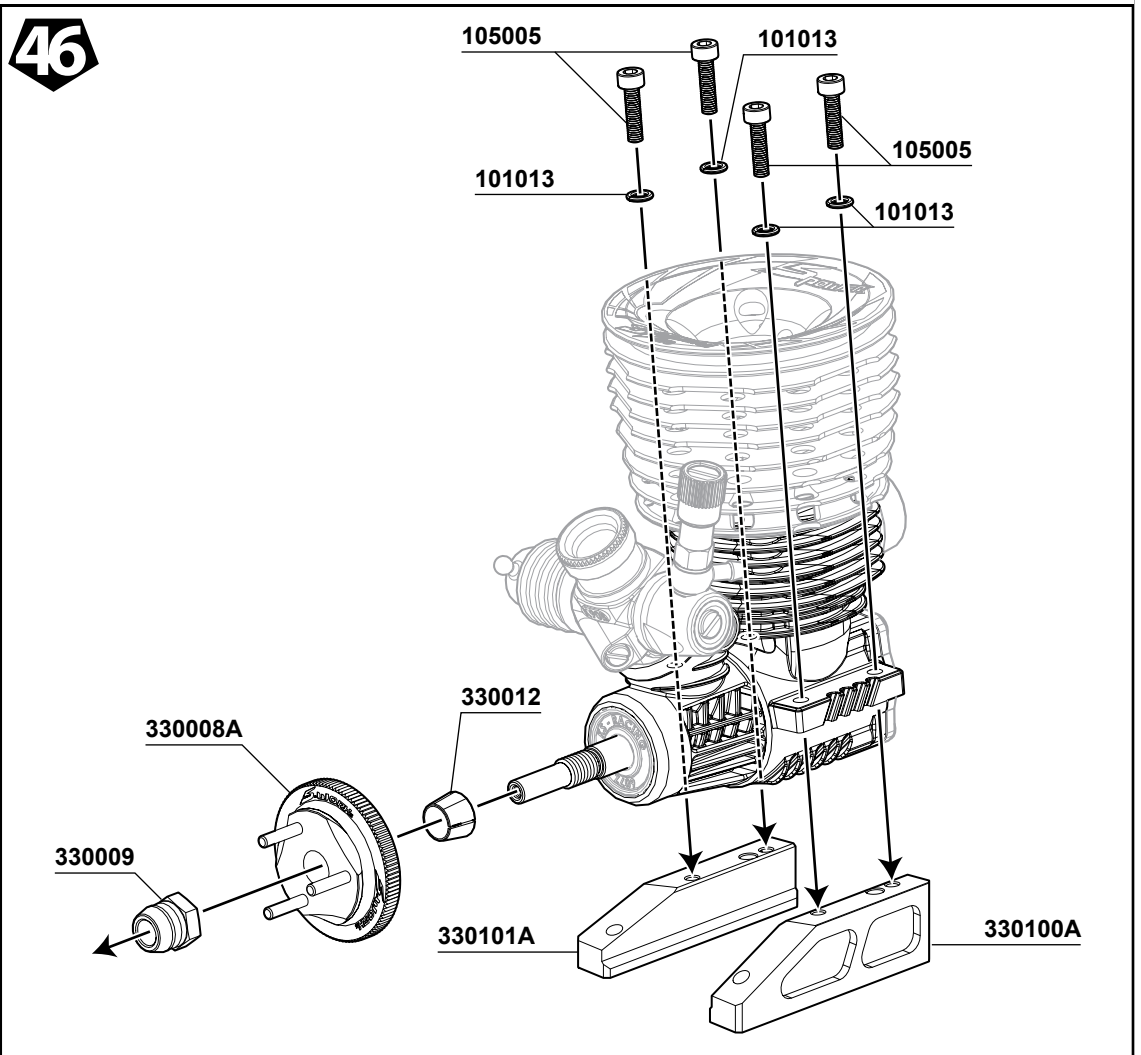
46



105005
M3x12mm Cap Screw x4



101013
3mm Spring Washer x4





105001
M3x8mm Cap Screw x1



101012
M3x6xT0.6mm x1

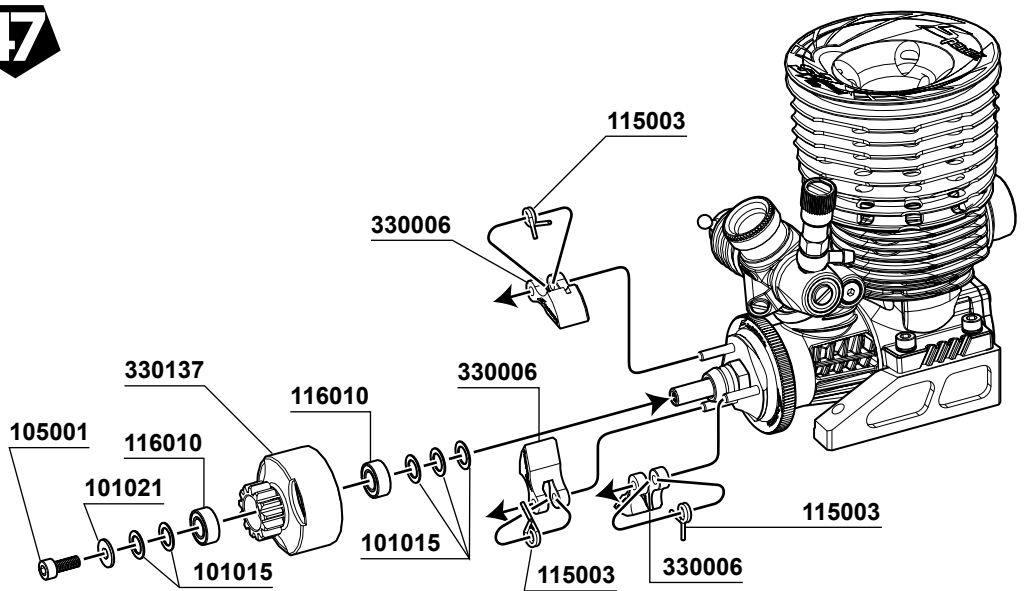


101015
M5x8xT0.4mm x5



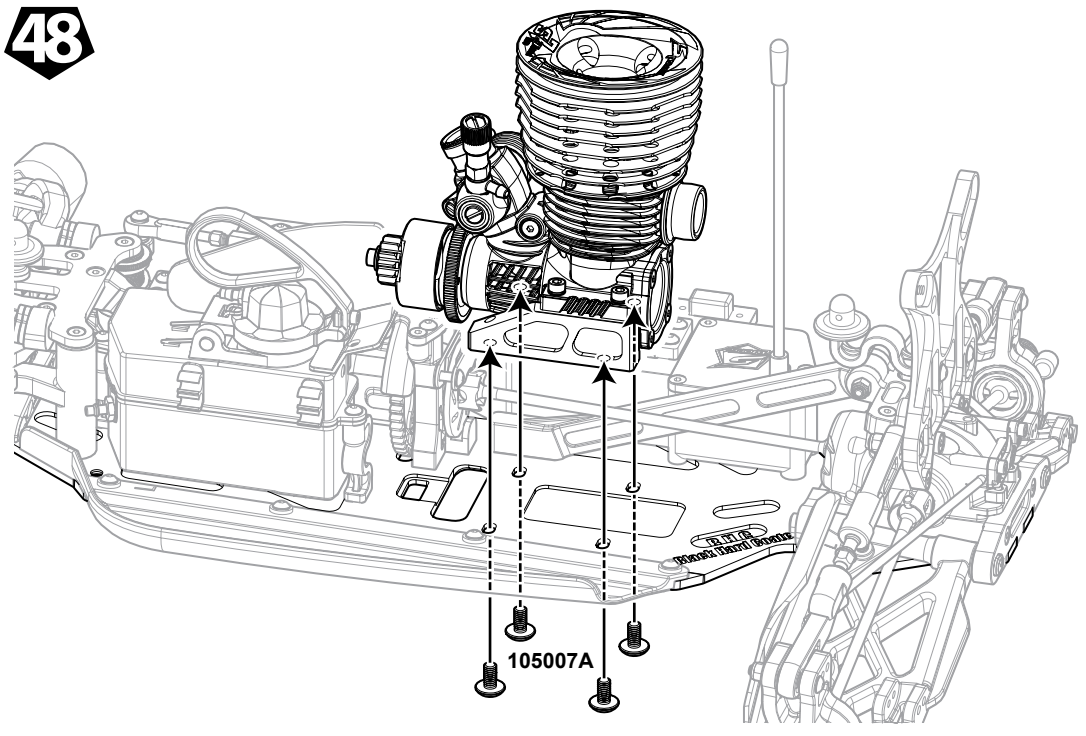
116010
Ball Bearing 5x10x4mm x2

47



105007A
M4x8mm I-Head Screw x4

48

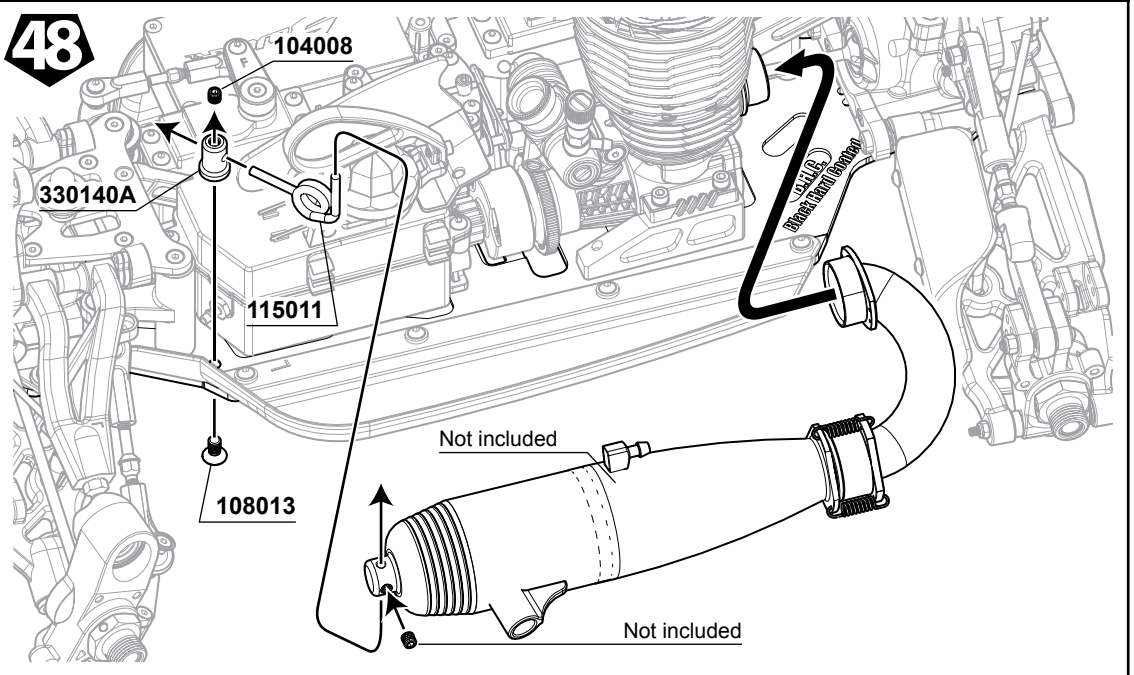


104008
M4x4mm Set Screw x1

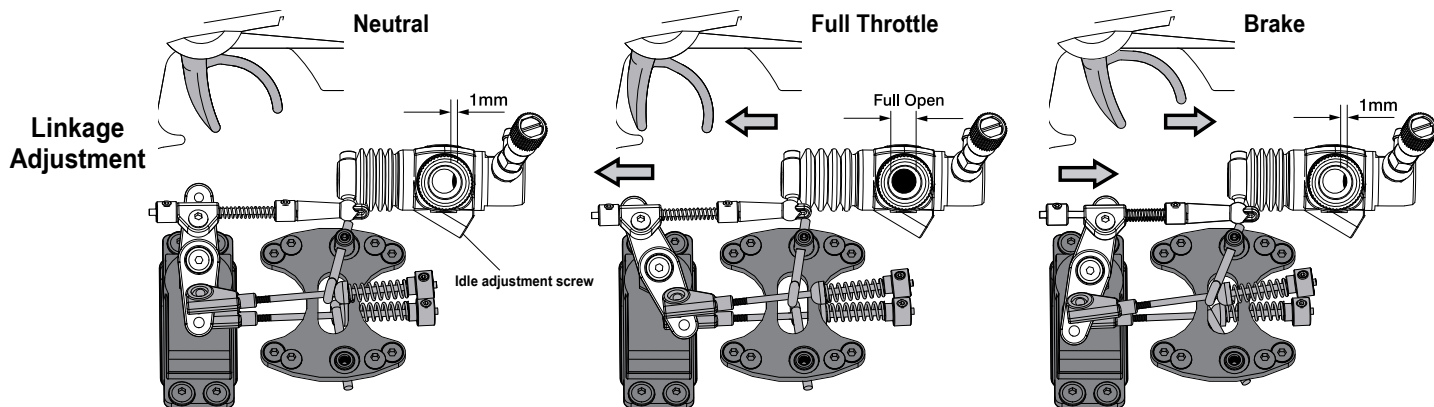
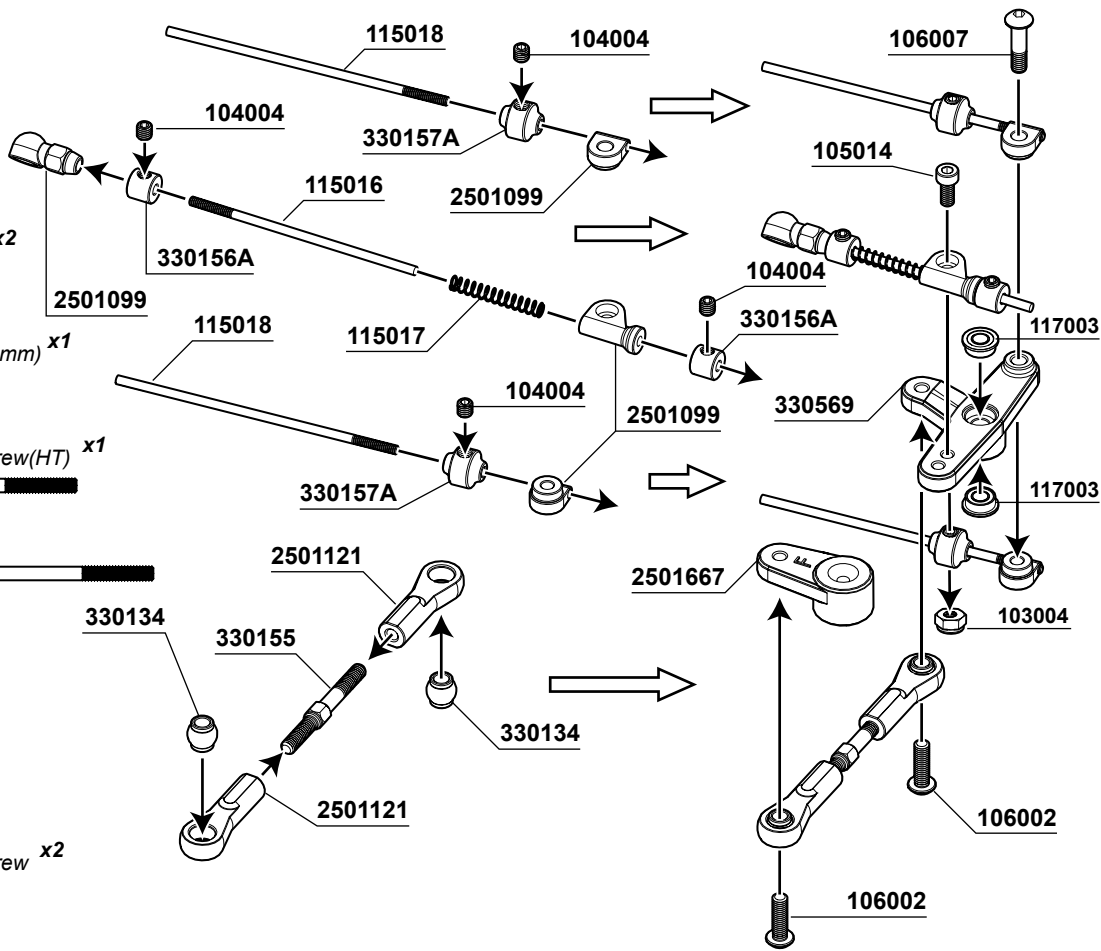


108013
M4x8mm FH/ST HEX Screw x1

48



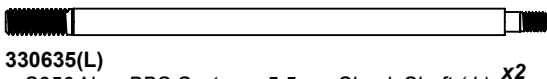
- 104004 M3x3mm Set Screw x6
- 105014 M2.6x6mm Cap Screw x1
- 117003 Flange Ball Bearing 3x6x2.5mm x2
- 330155 Steering Servo Turnbuckle (M3x30mm) x1
- 106007 M3x12mm Hex Socket OH/TP Screw(HT) x1
- 115016 Throttle Rod 50mm x1
- 115018 Brake Rod 60mm x2
- 330157 Brake Adjuster Knob x2
- 106002 M3x10mm Hex Socket OH/TP Screw x2
- 103004 M2.5mm Nut Lock x4



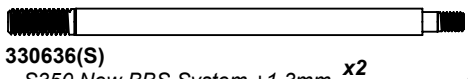
※ Turn on the transmitter and receiver. Set the throttle servo trim in neutral. Adjust the idle adjustment screw to make the carburettor opening no more than 1mm. Adjust the position of servo horn. Check that it operates smoothly without making the operation of the other parts difficult. Make sure the brake does not work in this setting.

※ Adjust the servo horn to fully open the carburettor. Change the position of servo horn if the carburettor is not fully open or opens too much. If your transmitter has a function to adjust throttle end points, make an adjustment this way.

※ Adjust the position of servo horn to make the brakes function. Make sure the brakes do not work when the servo trim is in neutral.



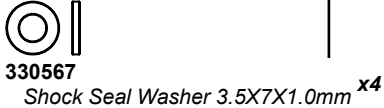
330635(L)
S350 New BBS System +5.5mm Shock Shaft (L) x2



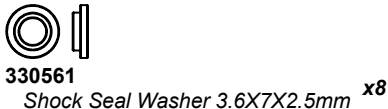
330636(S)
S350 New BBS System +1.3mm Shock Shaft (S) x2



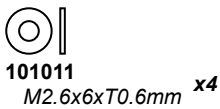
103004
M2.5mm Nut Lock x4



330567
Shock Seal Washer 3.5X7X1.0mm x4



330561
Shock Seal Washer 3.6X7X2.5mm x8



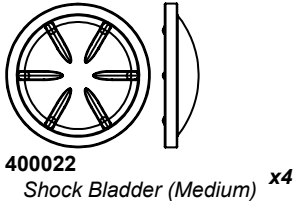
101011
M2.6x6xT0.6mm x4



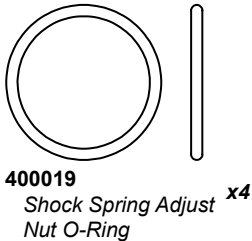
400006
Shock Seal O-Ring x8



400020
Shock Seal O-Ring x4



400022
Shock Bladder (Medium) x4



400019
Shock Spring Adjust Nut O-Ring x4

Front 330634(S)

Rear 330633(L)

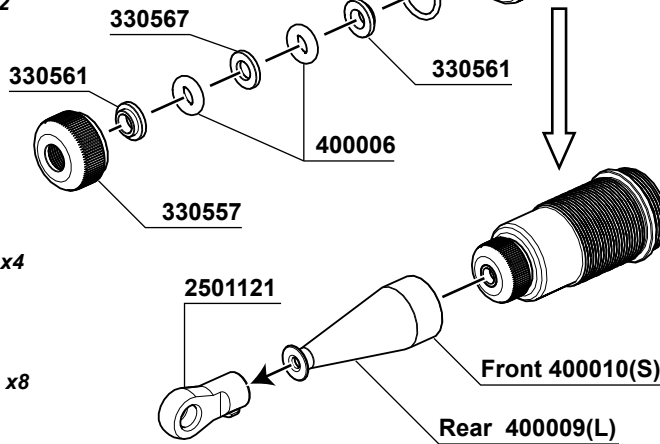
Front 330636(S)

Rear 330635(L)

103004

330562(F)
330563(R)

101011

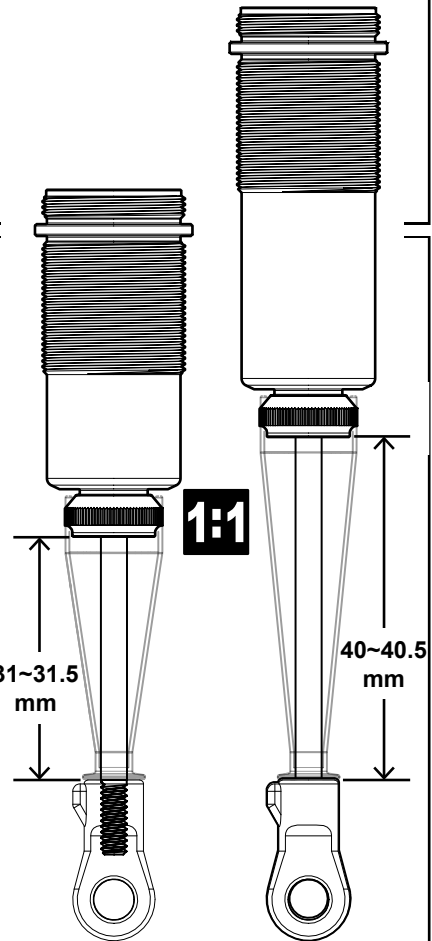
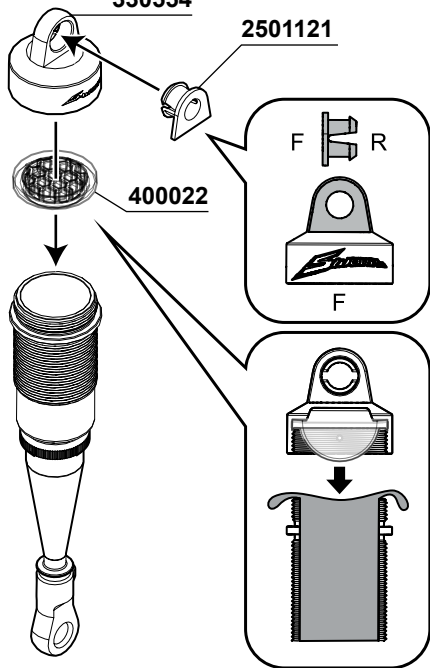
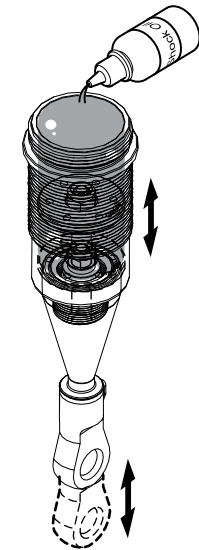


54

330554

2501121

400022



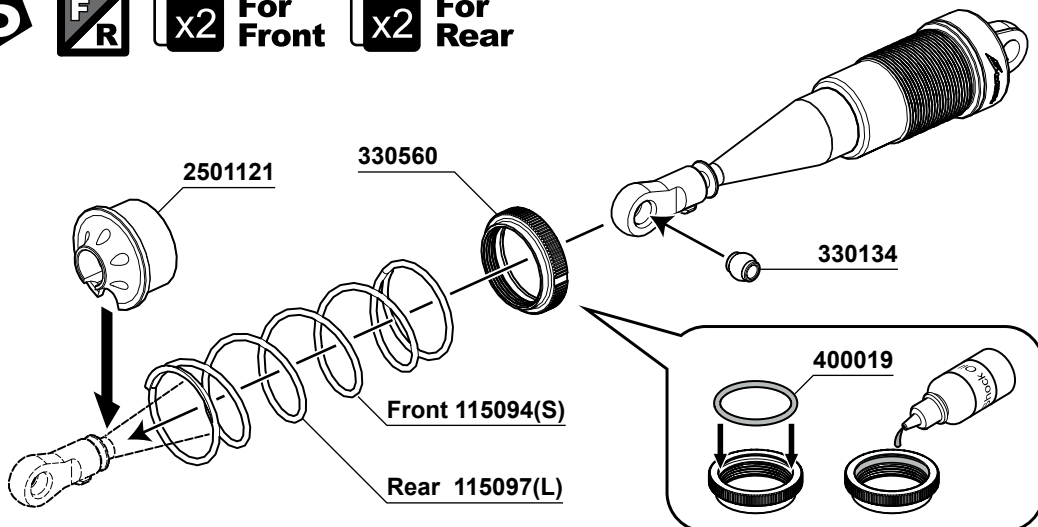
55



115108(L)
S350 BBS Option Shock SpringB-1(90X1.4X7.5) x2

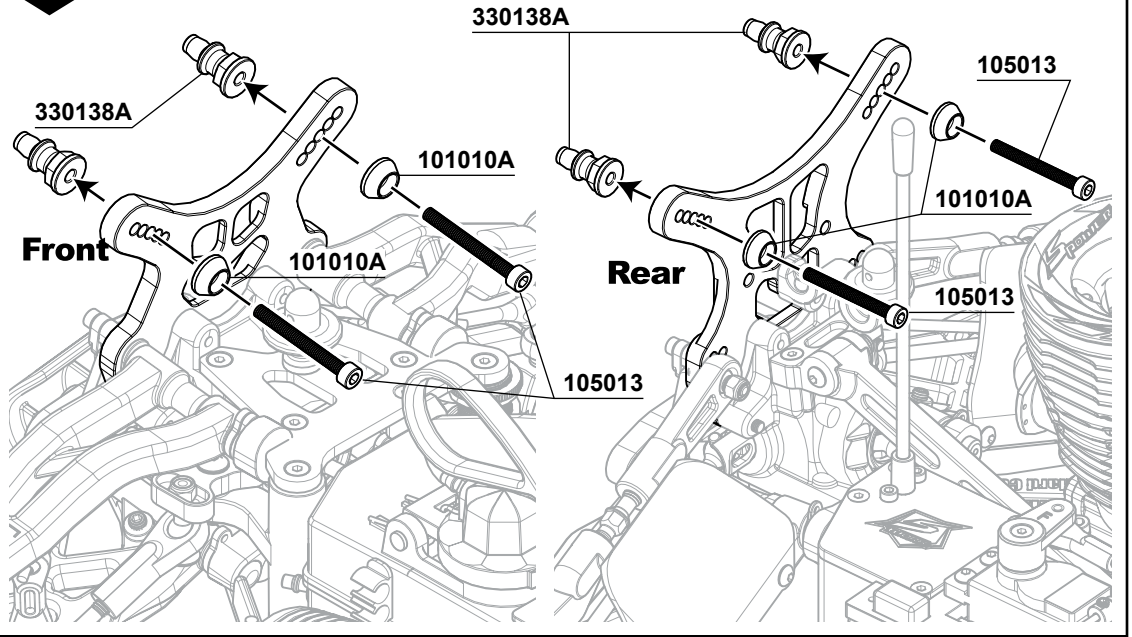


115106(S)
S350 BBS Option Shock SpringA-1(75X1.4X6.5) x2





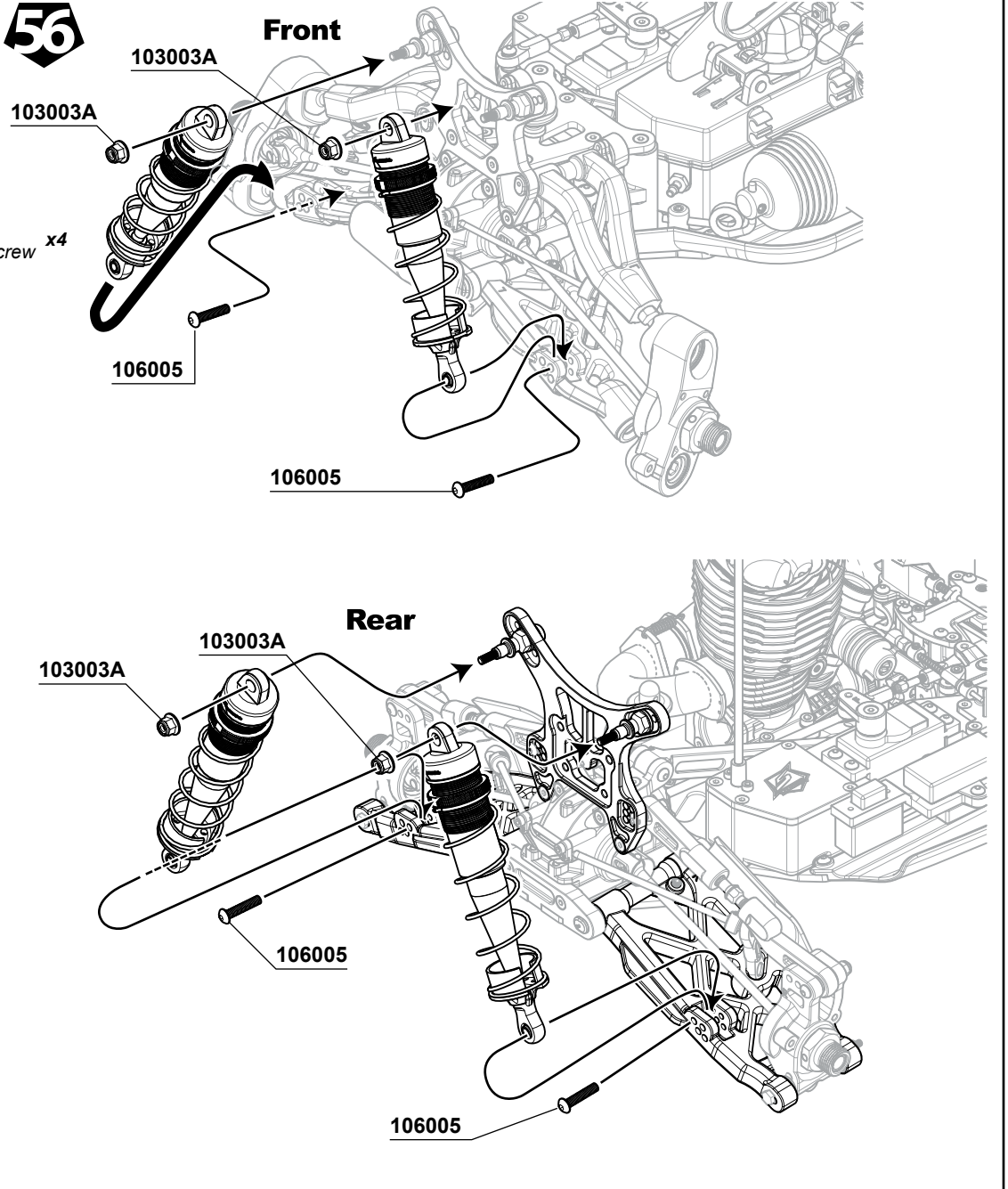
105013
M3x25mm Cap Screw x4



103003A
Flange M3 Nut Lock x4



106005
M3x15mm Hex Socket OH/TP Screw x4



BAG M

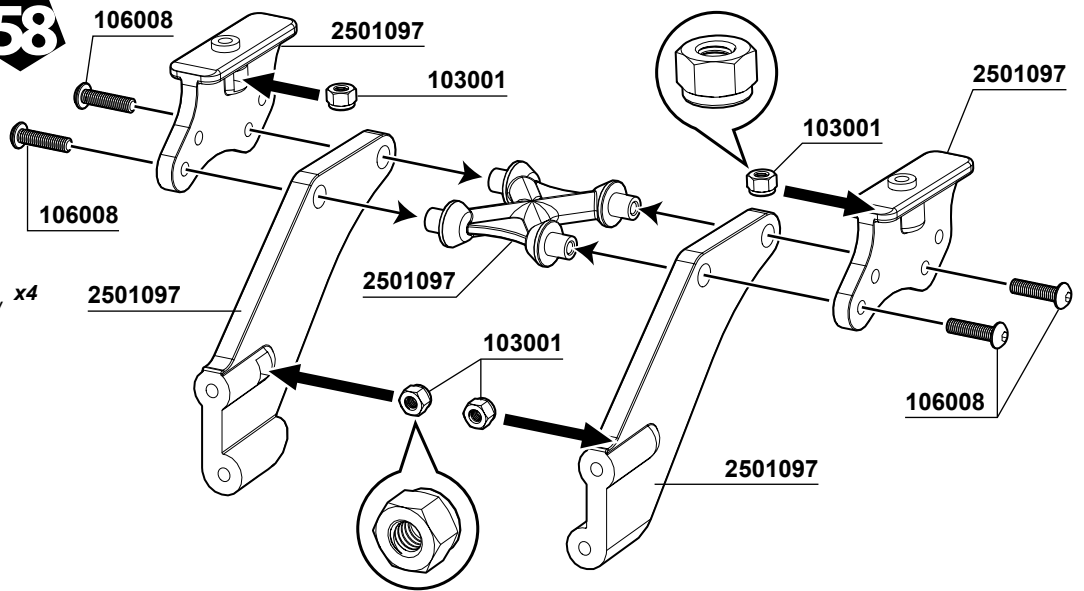
58



103001
M3 Nut Lock x4



106008
M3x12mm Hex Socket OH/TP Screw x4



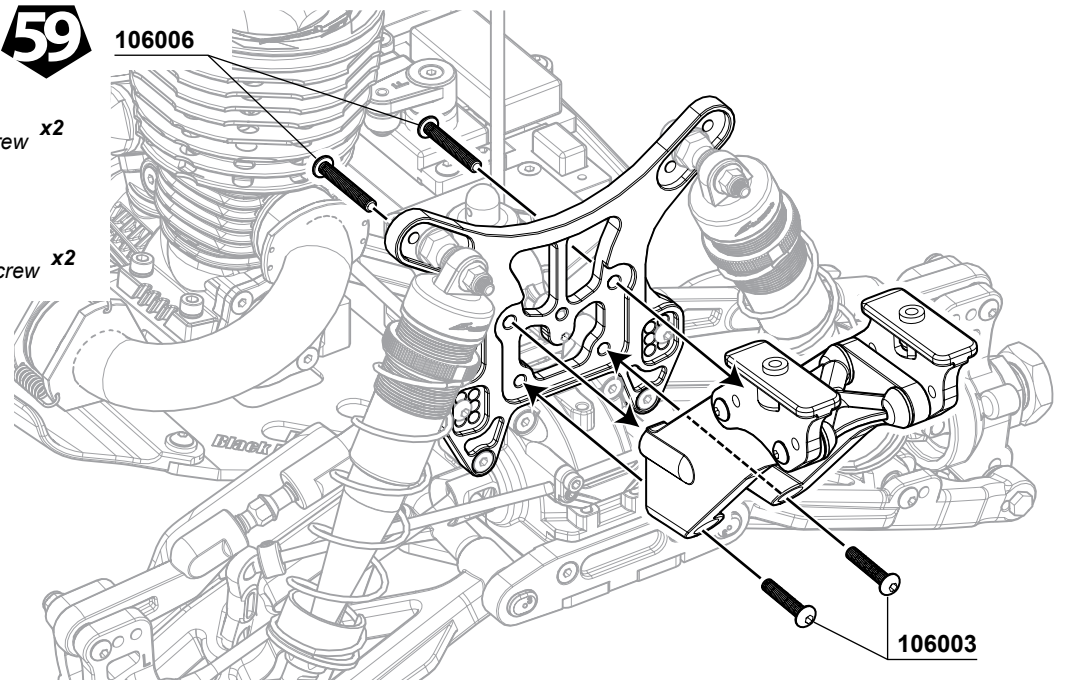
59



106006
M3x20mm Hex Socket OH/TP Screw x2



106003
M3x16mm Hex Socket OH/TP Screw x2

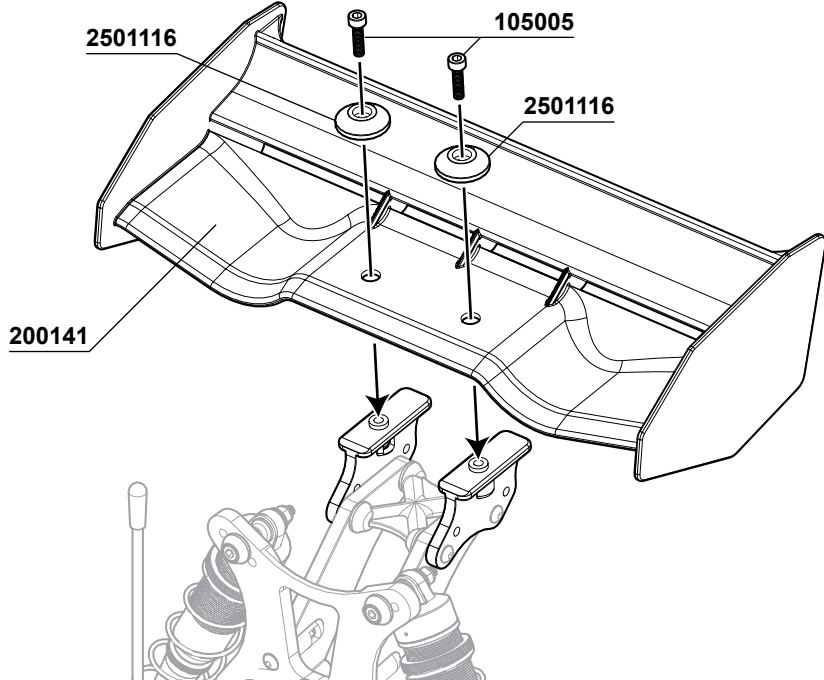


BAG M 3

59

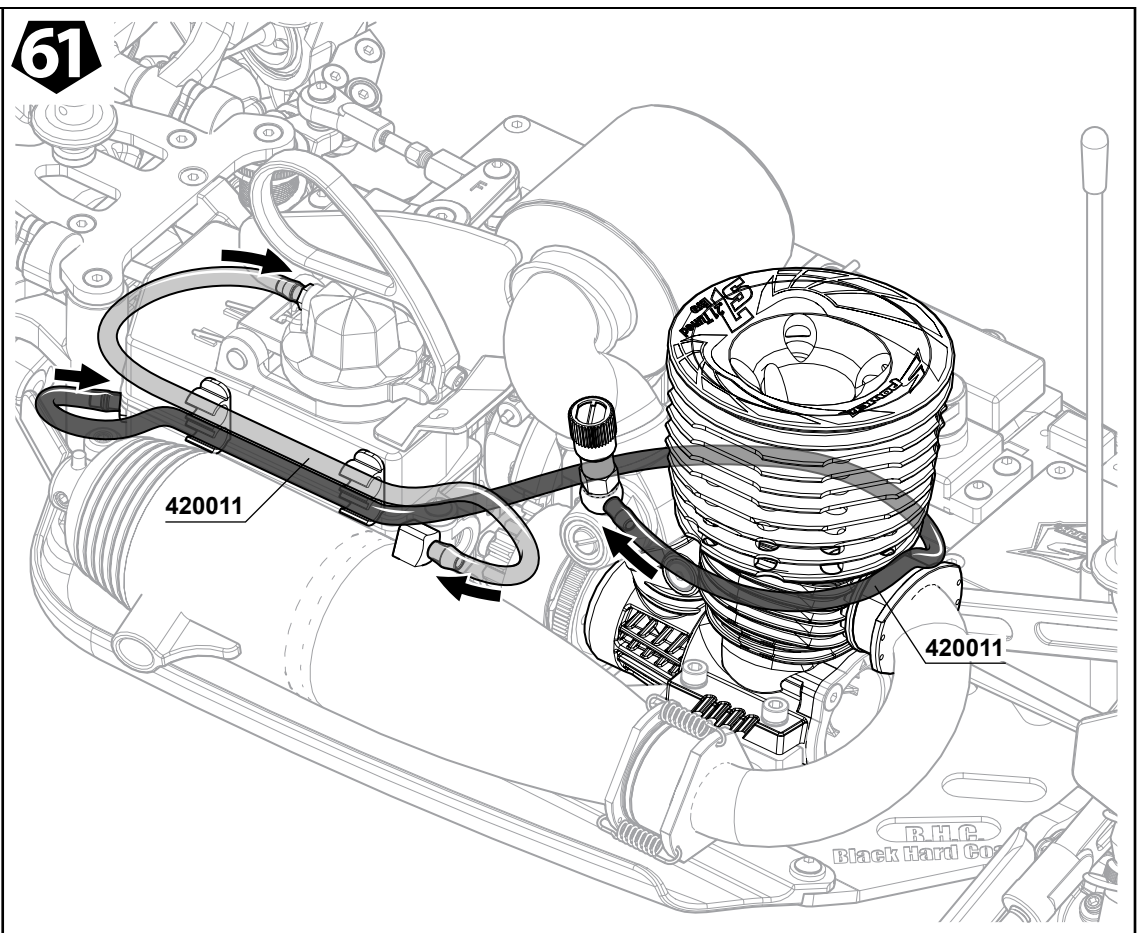
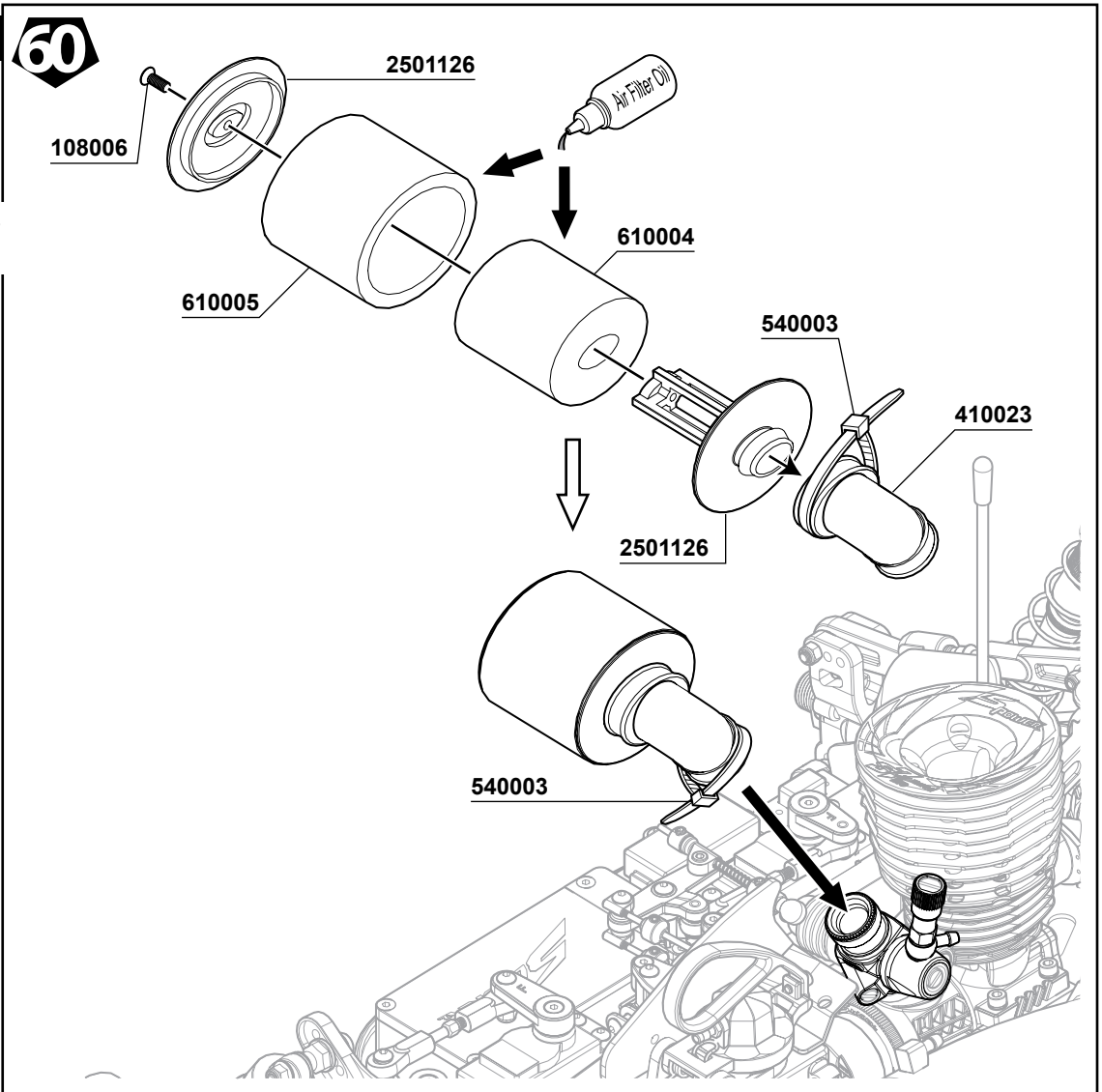


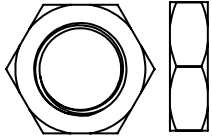
105005
M3x12mm Cap Screw x2



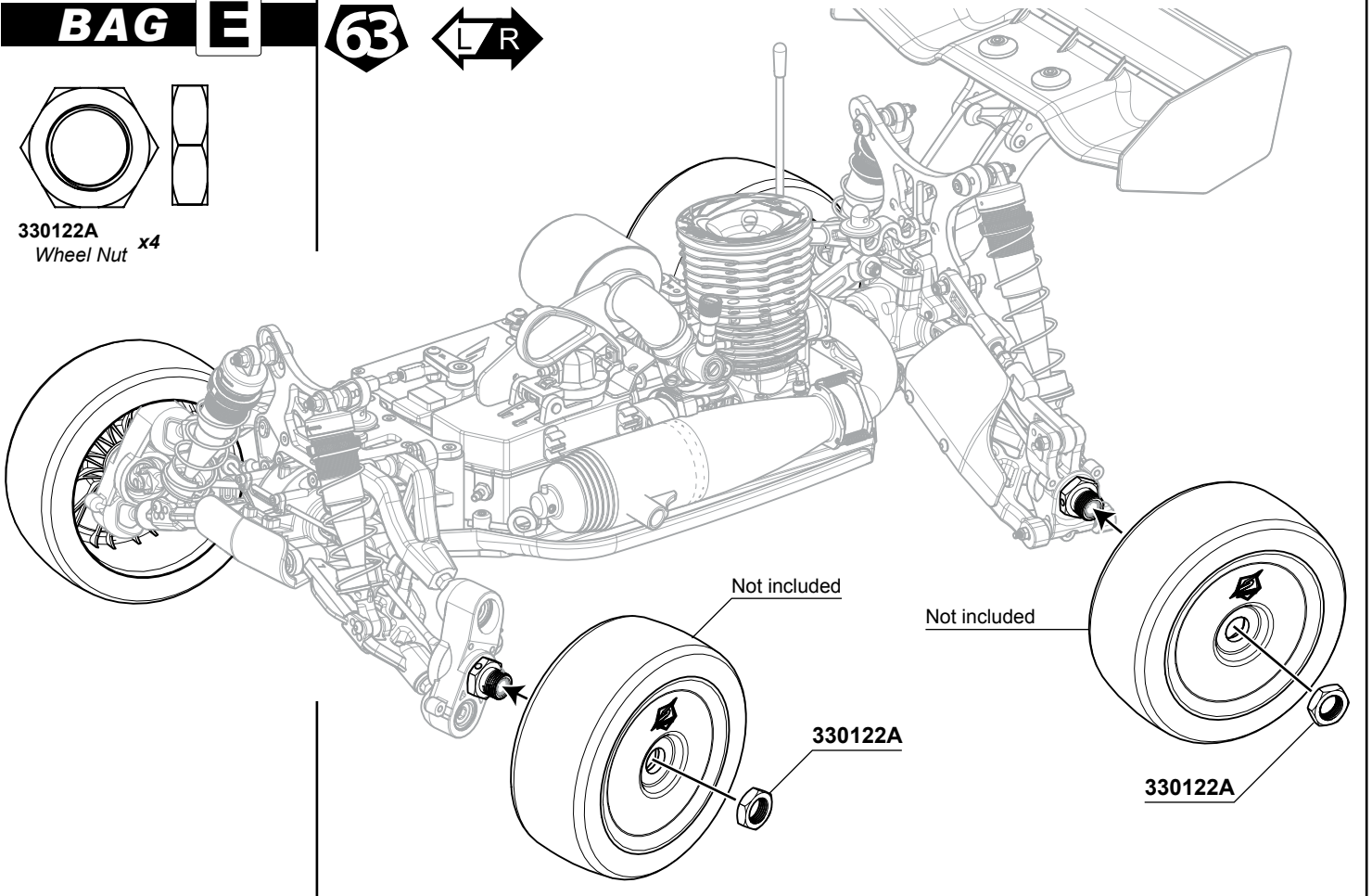


108006
M3x8mm FH/ST HEX Screw x1

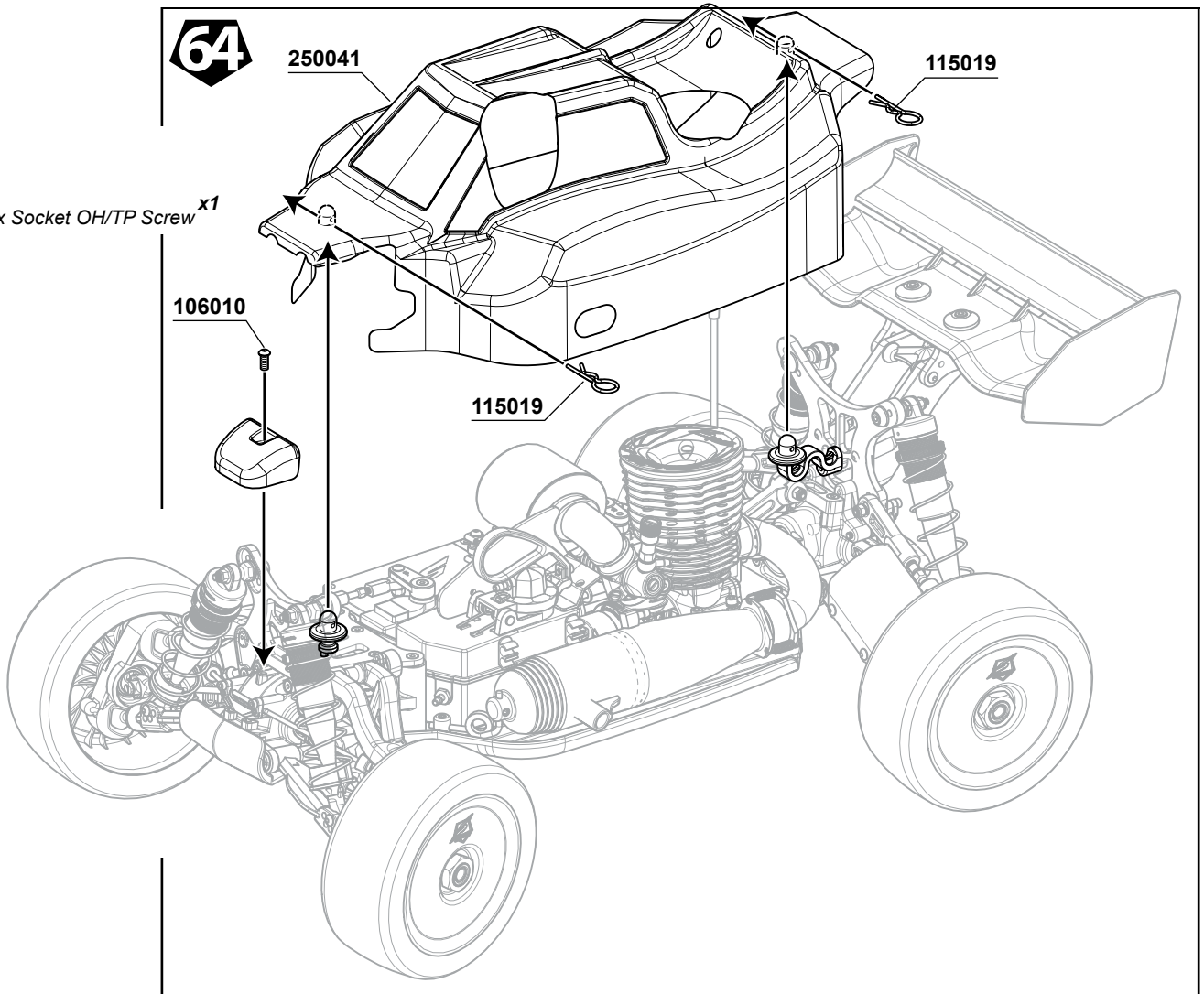




330122A
Wheel Nut x4



106010
M3x6mm Hex Socket OH/TP Screw x1



S350EVO II LIMITED

1/8 Off Road Nitro Racing Buggy

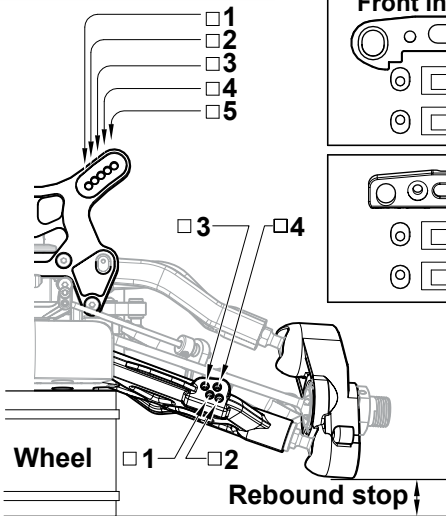
Name: _____
 Date: _____
 Track: _____

Diff. Oil
 Front: # _____
 Center: # _____
 Rear: # _____

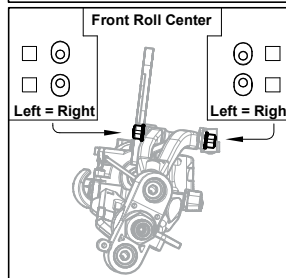
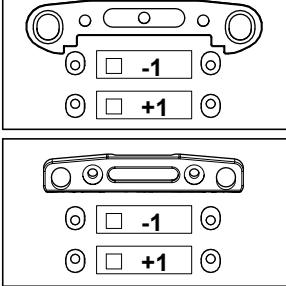
Tire

Front: _____ Rear: _____
 Type: _____ Type: _____
 Foam: _____ Foam: _____

Front Suspension



Front in-Board Toe

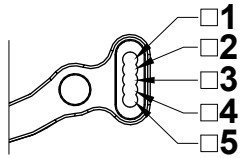


Track width _____ mm
 Camber angle Upper _____ mm
 Lower _____ mm
 Toe angle _____
 Rebound stop _____ mm
 Sway bar Use _____ mm
 None

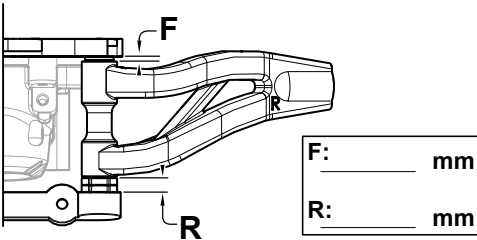
Front Shocks

Oil: _____
 Pistons: _____
 Spring: _____
 Spacer: _____ mm

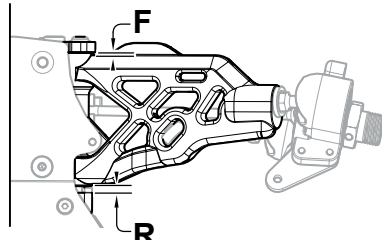
Steering Ackerman



Notes: _____



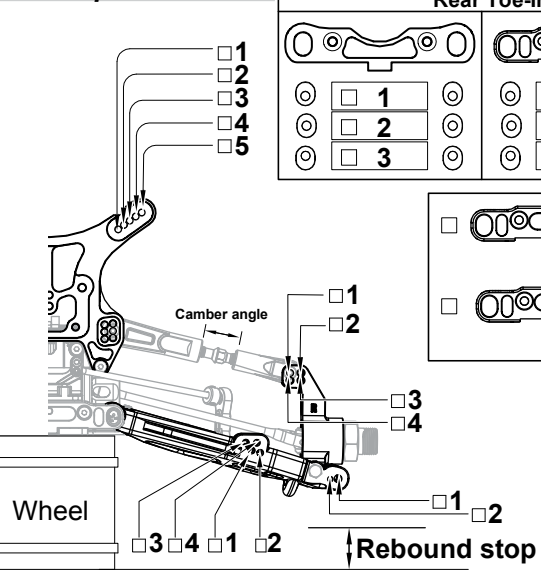
F: _____ mm
 R: _____ mm



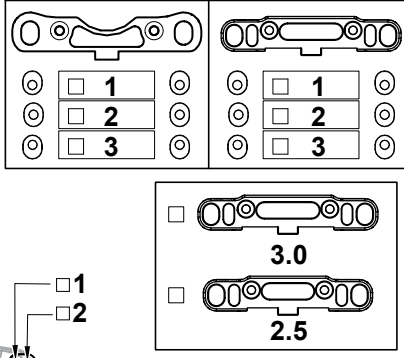
F: _____ mm
 R: _____ mm

Camber Angle
 L: _____ °
 R: _____ °

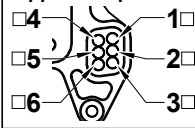
Rear Suspension



Rear Toe-In

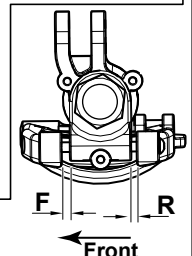
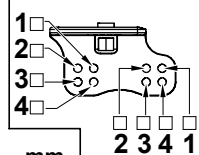


Upper arm position



Camber angle _____ mm
 Rebound stop _____ mm

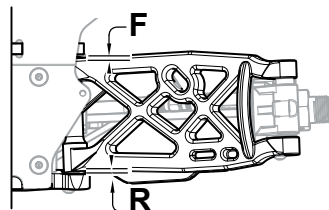
Wing Position



Wheelbase F _____ mm
 adjustment R _____ mm
 Sway bar Use _____ mm
 None

Rear Shocks

Oil: _____
 Pistons: _____
 Spring: _____
 Spacer: _____ mm



F: _____ mm
 R: _____ mm

Notes: _____

S350EVO II LIMITED

1/8 Off Road Nitro Racing Buggy

Name: Alberto Garcia
 Date: 28/02/16
 Track: CARTT

Diff. Oil
 Front: # 7.000
 Center: # 5.000
 Rear: # 2.000

Track Conditions

Size: Open Med. Tight
 Traction: High Med. Low
 Surface: Smooth Med. Bumpy

Engine

Type: Alpha Dragon III
 Gasket: 6.5 mm Muffler: Alpha
 Plug: Alpha Fuel: Profuel

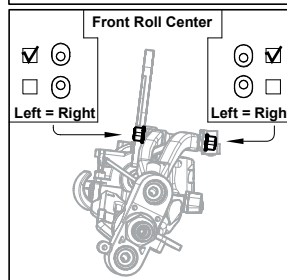
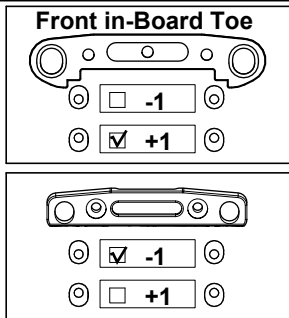
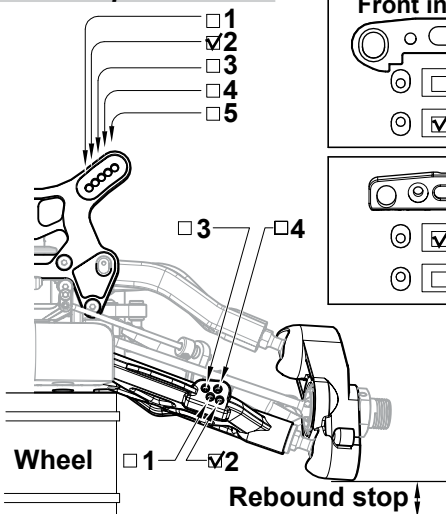
Clutch

Clutch shoes: Aluminium
 Spring: 1.0 mm
 Clutch bell / Spur gear: 13/46

Tire

Front Rear
 Type: JConcepts Detox Type: JC Detox
 Foam: Grey Foam: Grey

Front Suspension

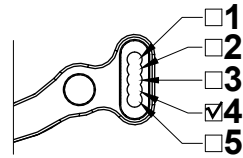


Track width _____ mm
 Camber angle Upper _____ mm
 Lower _____ mm
 Toe angle 1°
 Rebound stop 0 mm
 Sway bar Use 2.4 mm
 None

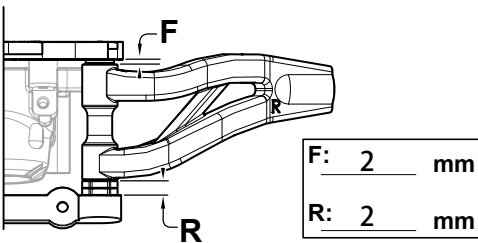
Front Shocks

Oil: 450
 Pistons: 8x 1.2
 Spring: 9.25
 Spacer: _____ mm

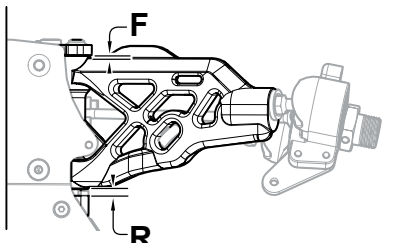
Steering Ackerman



2 mm
 Notes: _____



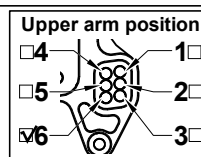
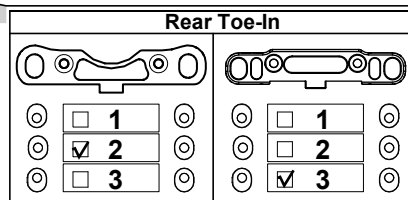
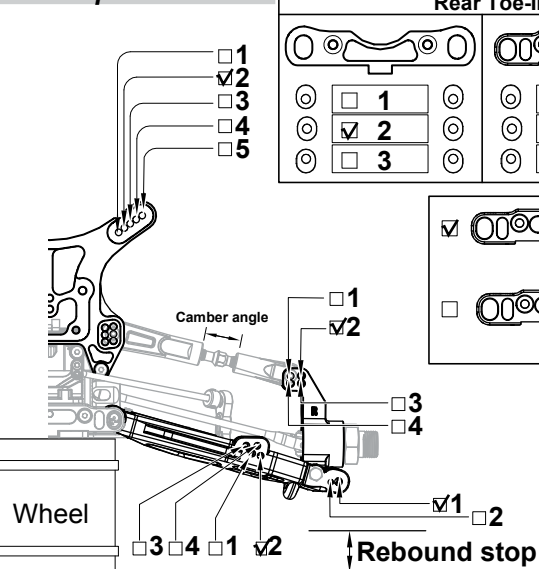
F: 2 mm
 R: 2 mm



F: 0 mm
 R: 2 mm

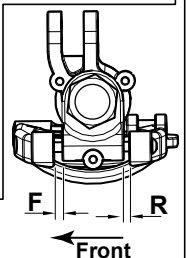
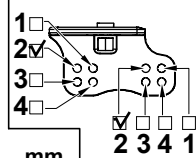
Camber Angle
 L: 2 °
 R: 2 °

Rear Suspension



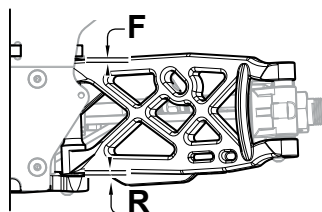
Camber angle _____ mm
 Rebound stop _____ mm

Wing Position



Rear Shocks
 Oil: 350
 Pistons: 8x 1.2
 Spring: 10.75
 Spacer: _____ mm

Wheelbase F _____ mm
 adjustment R _____ mm
 Sway bar Use 2.8 mm
 None



2 mm
 Notes: _____
 F: 2 mm
 R: 0 mm

height: 23/27mm
 Downstop: 108/129m

Parts No. List

Part No.	Part Name	Q'ty in Use	Item No.	Part No.	Part Name	Q'ty in Use	Item No.
210002A	Diff Case with Matel part	3	SW-210002A	2501668	1/8 Buggy Servo Holder Insert 1mm	6	SW-2501668
210033A	Fuel Tank	1	SW-210033A		1/8 Buggy Servo Holder Insert 3mm	4	
2501093B	S350 EVO I/II BBS Front Lower Arm (L)	1	SW-2501093B		S350 Series Servo Savor Plastic Insert 6x10x3mm	4	
	S350 EVO I/II BBS Front Lower Arm (R)	1			Knuckle Pivot Ball Washer 2mm	2	
2501094C	S350 Series S35 Competition Rear Lower Arm (R)	1	SW-2501094C		Knuckle Pivot Ball Washer 1mm	2	
	S350 Series S35 Competition Rear Lower Arm (L)	1		2502036	S350 Series Rear Lower Arm Plate Changable Insert (2/3.5 Degree)	1	SW-2502036
2501097	Front Bumper	1	SW-2501097		S350 Series Rear Lower Arm Plate Changable Insert (3 Degree)	4	
	Wing Stay (L)	1			S350 Series Rear Changable Plastic Lower Arm Plate	4	
	Wing Stay (R)	1			S350 Sries Aluminum Front Changable Lower Arm Holder Insert (0-1 Degree)	8	
	Wing Stay Holder	1		200193	Antenna Tube	1	SW-200193
	Wing Support (L)	1		200583	S350 Series C35 Performance Rear Up-arm Linkage Ball End (Inside)	2	SW-200583
	Wing Support (R)	1		250041	S350 Falcon Style 2 Clean Body Shell	1	SW-250041
	Rear Body Mount	1		210047	S350 Series R/C Universal Cross Drive Shaft Set 113.5mm	1	SW-210047
	Front Body Mount	1		210046	S350 Series Universal Cross Drive Shaft Set 92.5mm	4	SW-210046
2501098A	S350 Front Steering Knuckle Set (Also for LDS) L	1	SW-2501098A	210045	S350 Series F/C Universal Cross Drive Shaft Set 82mm	1	SW-210045
	S350 Front Steering Knuckle Set (Also for LDS) R	1		300017	Brake Disc	2	SW-300017
2501099	R/F Insert (1 degree)	4	SW-2501099	320003	Diff. Bevel Gear 18T	6	SW-320003
	R/F Insert (0 degree)	4		320004	Diff. Bevel Gear 10T	12	SW-320004
	F/F Insert (1 degree)	4		330006	Tornado Clutch Shoes	3	SW-330006
	F/Up Insert (1 degree)	8		330008A	SWORKz Tornado Fly Wheel Set (GM)	1	SW-330008A
	Brake Linkage Holder	4		330009	Tornado Fly Wheel Center Nut	1	SW-330008A
	Throttle Linkage Holder	2		330012	Fly Wheel Collect	1	SW-330008A
	Throttle Linkage Holder (Done)	2		330013	Bevel Gear Shaft	6	SW-330013
	Throttle Linkage Holder (Up)	2		330014	Front/Rear Diff. Outdrive	4	SW-330014
2501100	Pivot Ball Cup	8	SW-2501100	330015	Pin M2.2x9.9mm	6	SW-330015
	Lower Arm Insert (1mm)	4		330017	Center Diff. Outdrive	2	SW-330017
	Lower Arm Insert (1mm)	12		330018	46T SPUR GEAR	1	SW-330018
	Rear Wheel Axle Insert (1mm)	8		330086A	Front Lower Suspension Plate	1	SW-330086A
	Rear Wheel Axle Insert (2mm)	4		330091	Settring BellcrankPlate	1	SW-330091
2501113	Front Upper Arm (L)	1	SW-2501113	330100A	S350 Engine Mount (L) (HC)	1	SW-330100A
	Front Upper Arm (R)	1		330101A	S350 Engine Mount (R) (HC)	1	SW-330100A
2501114	Gear Box (F)	2	SW-2501114	330103	Front/Rear Lower Arm HingPin	4	SW-330103
	Gear Box (R)	2		330104	Brake Cam (S)	1	SW-330104
	S-Way Bar Holder	2		330105	Brake Cam (L)	1	SW-330104
	Brake Holder	2		330106	Brake Cam	2	SW-330104
	Brake Cam Insert	2		330113	Servo Saver Shaft	2	SW-330113
	Rear Shock Tower Insert	1		330114A	S350 Sseries Servo Saver Post (HC)	1	SW-330114A
2501115	Rear Lower Arm Dusty Cover (L)	1	SW-2501115	330117A	S350 Series Knuckle Pivot Ball Washer(GM)	2	SW-330117A
	Rear Lower Arm Dusty Cover (R)	1		330118A	S350 Series Knuckle Pivot Ball Nut(GM)	4	SW-330118A
	Fuel Sprinkle Guard	1		330119	Front Upper Arm HingPin	2	SW-330119
	Transponder Mount	1		330121B	S350 Wheel Hub(L4.5mm)(HC)	4	SW-330121B
	Fuel Tank Ring-pull	1		330122A	S350 Wheel Nut (HC)	4	SW-330122A
2501116	S-WORKz High Done Force Wing	1	SW-2501116	330123A	S350 EVO Rear Upper Sus. Arm Turnbuckles M5x38mm	2	SW-330123A
	Wing Holder	2		330124	Pin M3.0x16.8mm	4	SW-330124
2501121	Rear Upper Arm Ball End (For Wheel Side)	2	SW-2501121	330125	Rear Upper Sus. Arm Ball Stud	4	SW-330125
	Rear Upper Arm Ball End	2		330126A	S350 EVO Steering Turnbuckle M4x40mm	2	SW-330126A
	Steering Ball End	2		330127	Steering Linkage Ball Stud 7mm	4	SW-330127
	Steering Ball End (For Wheel Side)	2		330134	Shock Ball Stud	12	SW-330134
	Shock Cap Insert	4		330135A	Servo Saver Nut(GM)	1	SW-330114A
	Shock Ball End	4		330136	Sway Bar Ball Stud	4	SW-330136
	Shock Spring Holder	4		330137	Clutch Bell 13T	1	SW-330137
	Sway Bar Linkage	4		330138A	S350 EVO Shock Cap Stud	4	SW-330138A
	Steering Linkage Ball End	2		330140A	Pipe Holder(GM)	1	SW-330140A
	Throttle Linkage Ball End	1		330155	Steering Servo Turnbuckle (M3x30mm)	2	SW-330155
2501122	Settring Bellcrank Upper (R)	1	SW-2501122	330156A	Adjuster Knob(GM)	4	SW-330156A
	Settring Bellcrank (R)	1		330157A	Brake Adjuster Knob(GM)	2	SW-330156A
	Settring Bellcrank (L)	1		330210A	S350 Aluminum Front Upper Arm Holder (GM Color)	1	SW-330210A
	Rear Chassis Brace Mount	1		330215	S350 Sries Aluminum Front Changeable Lower Arm Holder (GM)	1	SW-330215
	Steering Servo Horn (For Futaba)	1		330226	S350 BK1 EVO Steering Knuckle Plate (L)	1	SW-330226
	Steering Servo Horn (For S&K)	1		330227	S350 BK1 EVO Steering Knuckle Plate (R)	1	SW-330226
	Steering Servo Horn (For Hitec)	1		330252	S350 BX1/BR1 Steering Knuckle Pivot Ball Turnbuckle	4	SW-330252
	Servo Mount	2		330268	S350 Series Black Power Lightened 7075 Rear Flat Chassis	1	SW-330268
	Throttle Servo Horn (For Futaba)	1		330401	S350 Series Rear Hub Carriers Hing Pin with Nut	2	SW-330401
	Throttle Servo Horn (For S&K)	1		330435	S350 Professional Matel Brake Calipers 2.0 A Side	2	SW-210043
	Throttle Servo Horn (For Hitec)	1		330436	S350 Professional Matel Brake Calipers 2.0 B Side	2	SW-210043
	Brake Servo Horn	1		330554	S350 New BBS System Shock Seal Cap (GM)	4	SW-330554
2501123	Side Guard (R)	1	SW-2501123	330557	S350 New BBS System Shock Seal Cap (GM)	4	SW-330557
	Side Guard (L)	1		330560	S350 New BBS System Shock Spring Adjust Nut	4	SW-330560
2501124	Center Diff. Mount (Lower)	2	SW-2501124	330561	S350 New BBS System Shock Seal Washer 3.6X7X2.5mm	8	SW-210058
	Center Diff. Mount (Upper)	2		330562	S350 New BBS System Shock Piston 1.3mmX6 Holes	2	SW-330562
2501125	Fuel Tank Post	2	SW-2501125	330563	S350 New BBS System Shock Piston 1.4mmX6 Holes	2	SW-330563
	Fuel Tube Holder	2		330567	S350 New BBS System Shock Seal Washer 3.5X7X1.0mm	4	SW-210058
2501126	Ail Filter Base	1	SW-2501126	330267A	S350 EVO Aluminum Rear Lower Arm Holder (FC USE)(GM)	1	SW-330267A
	Ail Filter End Cap	1		330399A	S350 Series Aluminum Rear Chassis Brace Mount	1	SW-330399A
2501529	S350 BX1/BR1 Rear Chassis Brace	1	SW-2501529	330407A	S350 series PSP Aluminum Throttl Linkage Arm Plate(GM)	1	SW-330407A
	S350 BX1/BR1 Front Chassis Brace	1		330408A	S350 series PSP Aluminum Throttl Linkage Arm Holder(GM)	1	SW-330407A
	S350 BX1/BR1 S-System Pinion Gear Holder (Plastic)	2		330423A	S350 PSP System Aluminum Series Settring Bellcrank Upper (A 2H)	1	SW-330423A
	S350 BX1 Rear Lower Arm Holder Insert	1		330486	S350 Series 13T straight pinion gear	2	SW-330486
2501666	BK1 EVO Power Steering Radio Tray	1	SW-2501666	330487	S350 Series 43T straight crown gear	2	SW-330487
	BK1 EVO Battery Box Rear Cover	1		330496	S350 Series Aluminum Pinion Gear Holder (5x11mm)	2	SW-330496
	BK1 EVO Center Diff Cover	1		330569	S350 PSP Aluminum Throttl Linkage Arm	1	SW-330569
	BK1 EVO Receiver Box Cover	1		330625	S350 Series Front Pro Shock Tower for L-BBS shocks	1	SW-330625
	BK1 EVO Battery Box Cover	1		330626	S350 Series Rear Pro Shock Tower for L-BBS shocks	1	SW-330626
2501667	Servo Mount	2	SW-2501667	330632	S350 Series S35 Competition Steering Plate	1	SW-330632
	BK1 EVO Throttl Linkage Arm	1		330633	S350 BBS System +5.6mm Shock Body L (HD)	2	SW-330633
	BK1 EVO Throttl Servo Horn (For Futaba)	1		330634	S350 BBS System +5mm Shock Body S (HD)	2	SW-330634
	BK1 EVO Throttl Servo Horn (For S&K system)	1		330635	S350 New BBS System +5.5mm Shock Shaft (L)	2	SW-330635
	BK1 EVO Throttl Servo Horn (For Hitec)	1		330636	S350 New BBS System +1.3mm Shock Shaft (S)	2	SW-330636
	BK1 EVO Throttl Linkage Ball End	2		330645	S350 BBD Aluminum Center Diff Case	1	SWC-330645
	BK1 EVO Antenna Holder	1		330646	S350 BBD Aluminum Center Diff Case Cover	1	SWC-330646
	BK1 EVO Settring Bellcrank Upper (R)	1		330647	S350 BBD Special Brake Cam	1	SWC-330647

Parts No. List

Spare Part List

Part No.	Part Name	Q'ty in Use	Item No.	Item No.	Part Name
330651L	S350 Series S35 Competition Aluminum Rear Hub Carry (L)	1	SW-330651L	SW-210002A	S350 EVO Diff Case
330651R	S350 Series S35 Competition Aluminum Rear Hub Carry (R)	1	SW-330651R	SW-210033A	S350 EVO Series Fuel Tank Set
330670	S35 Competition Aluminum Rear Changeable Lower Arm Holder (3.0D)	1	SW-330670	SW-2501093B	S350 EVO I/II BBS Front Lower Arm Set
420011	Fuel Tube 300mm	2	SW-420011	SW-2501094C	S350 Series S35 Competition Rear Lower Arm Set
420010	Antenna Cup	1	SW-420010	SW-2501095A	S350 Rear Hub Carrier Set (Also for LDS) (L&R)
410024	Switch Cover	1	SW-410024	SW-2501096	S350 Full Arm Holder Set (7pc)
410023	Air Filter Adapter	1	SW-410023	SW-2501097	S350 Wing Stay Set with Bumper
410051	S350 BBD Aluminum Center Diff Case O-ring	1	SWC-410051	SW-2501098A	S350 Front Steering Knuckle Set (Also for LDS) (L&R)
400022	S350 New BBS System Shock Bladder (Medium)	4	SW-400022	SW-2501099	S350 R/F Insert, Brake, Throttle Linkage Linkage Holder
400020	S350 New BBS System Shock Seal O-Ring	4	SW-400020	SW-2501100	S350 Pivot Ball Cup, Caster Insert Set
400019	S350 New BBS System Shock Spring Adjust Nut O-Ring	4	SW-400019	SW-2501113	S350 Front Upper Arm Set (L&R)
400010	Shock Boot (S)	2	SW-400010	SW-2501114	S350 Gear Box Set (F&R)
400009	Shock Boot (L)	2	SW-400009	SW-2501115	S350 Rear Lower Arm Dusty Cover with Fuel Sprinkle Guard
400006	Shock Seal O-Ring	4	SW-400006	SW-2501116	S-WORKz High Done Force Wing Set (BK)(Fit S350)
400005	Shock Spring Adjust Nut O-Ring	4	SW-400005	SW-2501121	S350 Ball End Set with Shock Plastic Parts (2 Set)
400002	O-ring S5 4.8X1.5	6	SW-400002	SW-2501122	S350 Setting Bellcrank Set with Servo Horn Set
510063	S350 Falcon 2 Clean Body Shell Window Mask	1	SW-250041	SW-2501123	S350 Side Guard Set (L&R)
510062	S350 EVO II Body Decal Sheet	1	SW-250041	SW-2501124	S350 Center Diff. Mount Set (2 Set)
610005	Air Filter Outer Foam	1	SW-610004	SW-2501126	Air Filter Set
610004	Air Filter Foam	1	SW-610004	SW-2501529	S350 BX1/BR1 Plastic Chassis Brace Set
610002	Diff. Gasket (0.5T)	3	SW-610002	SW-2501666	S350 Power Steering Radio Tray
117003	Flange Ball Bearing 3x6x2.5mm	6	SW-117003	SW-2501667	S350 Power Steering Servo Savor Arm Plastic
116016	Ball Bearing 5x11x4mm	4	SW-116016	SW-2501668	S350 Series Plastic Insert Set
116010	Ball Bearing 5x10x4mm	2	SW-116010	SW-2502036	S350 Series Rear Changeable Plastic Lower Arm Plate with insert
116006	Ball Bearing 8x16x5mm	14	SW-116006	SW-200193	Antenna Tube
116004	Ball Bearing 6x10x3mm	4	SW-116004	SW-200583	S350 Series C35 Performance Rear Up-arm Linkage Ball End (Inside)
115106	S350 BBS Option Shock SpringA-1(75X1.4X6.5)	2	SW-115106	SW-250041	S350 Falcon Style 2 Clean Body Shell
115108	S350 BBS Option Shock SpringB-1(90X1.4X7.5)	2	SW-115108	SW-210047	S350 Series R/C Universal Cross Drive Shaft Set 113.5mm
115019	Body Clip	2	SW-115019	SW-210046	S350 Series Universal Cross Drive Shaft Set 92.5mm
115018	Brake Rod 60mm	2	SW-210018	SW-210045	S350 Series F/C Universal Cross Drive Shaft Set 82mm
115017	Throttle Rod Spring	1	SW-210018	SW-300017	Brake Disc
115016	Throttle Rod 50mm	1	SW-210018	SW-320003	Diff. Bevel Gear 18T
115015	Brake Spring	2	SW-210018	SW-320004	Diff. Bevel Gear 10T
115011	Pipe Spring	1	SW-330140A	SW-330006	Tomado Clutch Shoes
115010	Front Sway Ball 2.8mm	1	SW-115010	SW-330008A	SWORKz Tomado Fly Wheel Set (GM)
115009	Front Sway Ball 2.6mm	1	SW-115009	SW-330013	Bevel Gear Shaft
115008	Front Sway Ball 2.3mm	1	SW-115008	SW-330014	Front/Rear Diff. Outdrive
115007	Rear Sway Ball 3.0mm	1	SW-115007	SW-330015	Pin M2.2x9.9mm
115006	Rear Sway Ball 2.6mm	1	SW-115006	SW-330017	Center Diff. Outdrive
115005	Rear Sway Ball 2.8mm	1	SW-115005	SW-330018	4GT SPUR GEAR
115004	Servo Saver Spring	1	SW-330114	SW-330086A	Front Lower Suspension Plate
115003	Tornado Clutch Spring	3	SW-115003	SW-330091	Setting Bellcrank Plate
108022	M3x25mm FH/ST HEX Screw	1	SW-108022	SW-330100A	S350 Engine Mount Set (HC)
108015	M3x16mm FH/ST HEX Screw	2	SW-108015	SW-330103	Front/Rear Lower Arm HingPin
108014	M3x3mm FH/ST HEX Screw	4	SW-108014	SW-330104	Brake Cam Set
108013	M4x8mm FH/ST HEX Screw	1	SW-108013	SW-330113	Servo Saver Shaft
108012	M4x16mm FH/ST HEX Screw	8	SW-108012	SW-330114A	S350 Sseries Servo Saver Post (HC)
108011	M4x12mm FH/ST HEX Screw	4	SW-108011	SW-330117A	S350 Series Knuckle Pivot Ball Washer(GM)
108010	M4x10mm FH/ST HEX Screw	2	SW-108010	SW-330118A	S350 Series Knuckle Pivot Ball Nut(GM)
108009	M3x20mm FH/ST HEX Screw	4	SW-108009	SW-330119	Front Upper Arm HingPin
108008	M3x35mm FH/ST HEX Screw	4	SW-108008	SW-330121B	S350 Wheel Hub(L4.5mm)(HC)
108007	M3x6mm FH/ST HEX Screw	8	SW-108007	SW-330122A	S350 Wheel Nut (HC)
108006	M3x8mm FH/ST HEX Screw	29	SW-108006	SW-330123A	S350 EVO Rear Upper Sus. Arm Turnbuckles M5x38mm
108003	M3x10mm FH/ST HEX Screw	26	SW-108003	SW-330124	Pin M3.0x16.8mm
108001	M3x12mm FH/ST HEX Screw	22	SW-108001	SW-330125	Rear Upper Sus. Arm Ball Stud
106010	M3x6mm Hex Soket OH/TP Screw	23	SW-106010	SW-330126A	S350 EVO Steering Turnbuckle M4x40mm
106009	M3x25mm Hex Soket OH/TP Screw	4	SW-106009	SW-330127	Steering Linkage Ball Stud 7mm
106008	M3x12mm Hex Soket OH/TP Screw	8	SW-106008	SW-330134	Shock Ball Stud
106007	M3x12mm Hex Soket OH/TP Screw	8	SW-106007	SW-33014A	Servo Saver Nut(GM)
106006	M3x20mm Hex Soket OH/TP Screw	7	SW-106007	SW-330136	Sway Bar Ball Stud
106005	M3x15mm Hex Soket OH/TP Screw	3	SW-106006	SW-330137	Clutch Bell 13T
106003	M3x16mm Hex Soket OH/TP Screw	13	SW-106005	SW-330138A	S350 EVO Shock Cap Stud
106002	M3x10mm Hex Soket OH/TP Screw	6	SW-106003	SW-330140A	Pipe Holder(GM)
106001	M3x8mm Hex Soket OH/TP Screw	2	SW-106001	SW-330155	Steering Servo Turnbuckle (M3x30mm)
105013	M3x25mm Cap Screw (HT)	4	SW-105013	SW-330156A	S350 Series Adjuster Knob (Included Brake Adjuster Knob)(GM)
105011	M3x23mm Cap Screw	2	SW-105011	SW-330210A	S350 Aluminum Front Upper Arm Holder (GM Color)
105005	M3x12mm Cap Screw	6	SW-105005	SW-330215	S350 Sries Aluminum Front Changeable Lower Arm Holder (GM)
105004	M2.6x6mm Cap Screw	9	SW-105004	SW-330226	S350 BK1 EVO Steering Knuckle Plate (L)
105001	M3x8mm Cap Screw	1	SW-105001	SW-330226	S350 BK1 EVO Steering Knuckle Plate (R)
104011	M4x4mm Set Screw (Flat Bottom)	3	SW-104011	SW-330252	S350 BX1/BR1 Steering Knuckle Pivot Ball Turnbuckle
104007	M4x8mm Set Screw	4	SW-104007	SW-330268	S350 Series Black Power Lightened 7075 Rear Flat Chassis
104005	M3x4mm Set Screw	4	SW-104005	SW-330401	S350 Series Rear Hub Carriers Hing Pin with Nut
104004	M3x3mm Set Screw	12	SW-104004	SW-210043	S350 Professional Matel Brake Calipers 2.0 A Side
104001	M5x4mm Set Screw	4	SW-104001	SW-210043	S350 Professional Matel Brake Calipers 2.0 B Side
103004	M2.5mm Nut Lock	6	SW-103004	SW-330554	S350 New BBS System Shock Cap (GM)
103001	M3 Nut Lock	18	SW-103001	SW-330557	S350 New BBS System Shock Seal Cap (GM)
105007A	M4x8mm I-Head Screw	4	SW-105007A		
103003A	Flange M3 Nut Lock (GM)	5	SW-103003A		
101020A	3mm Countersunk Washers (RD)	2	SW-101020A		
101010A	M3 Countersunk Washer(GM)	4	SW-101010A		
101021	M3x8xT0.8mm	5	SW-101021		
101019	SHIM 6.0x10.0x0.2mm	2	SW-101019		
101018	SHIM 8.0x10.0x0.1mm	6	SW-101018		
101016	M5x8xT0.8mm	1	SW-101016		
101015	M5x8xT0.4mm	5	SW-101015		
101014	M3 Pivot Ball Bushing	1	SW-101014		
101013	3mm Spring Washer	4	SW-101013		
101011	M2.6x6xT0.6mm	4	SW-101011		
101004	Washer 3.5X10X0.2mm	12	SW-101004		

Spare Part List

Item No.	Part Name	Item No.	Part Name
SW-330560	S350 New BBS System Shock Spring Adjust Nut	SW-108006	M3x8mm FH/ST HEX Screw
SW-210058	S350 New BBS System Shock Seal Washer 3.6X7X2.5mm	SW-108003	M3x10mm FH/ST HEX Screw
SW-330562	S350 New BBS System Shock Piston 1.3mmX6 Holes	SW-108001	M3x12mm FH/ST HEX Screw
SW-330563	S350 New BBS System Shock Piston 1.4mmX6 Holes	SW-106010	M3x6mm Hex Soket OH/TP Screw
SW-210058	S350 New BBS System Shock Seal Washer 3.5X7X1.0mm	SW-106009	M3x25mm Hex Soket OH/TP Screw
SW-330267A	S350 EVO Aluminum Rear Lower Arm Holder (FC USE)(GM)	SW-106008	M3x12mm Hex Soket OH/TP Screw
SW-330399A	S350 Series Aluminum Rear Chassis Brace Mount	SW-106007	M3x12mm Hex Soket OH/TP Screw(HT)
SW-330407A	S350 series PSP Aluminum Throttl Linkage Arm Plate(GM)	SW-106006	M3x20mm Hex Soket OH/TP Screw
SW-330423A	S350 PSP System Aluminum Series Setting Bellcrank Upper (A 2H)	SW-106005	M3x15mm Hex Soket OH/TP Screw
SW-330486	S350 Series 13T straight pinion gear	SW-106003	M3x16mm Hex Soket OH/TP Screw
SW-330487	S350 Series 43T straight crown gear	SW-106002	M3x10mm Hex Soket OH/TP Screw
SW-330496	S350 Series Aluminum Pinion Gear Holder (5x11mm)	SW-106001	M3x8mm Hex Soket OH/TP Screw
SW-330569	S350 PSP Aluminum Throttl Linkage Arm	SW-105013	M3x25mm Cap Screw (HT)
SW-330625	S350 Series Front Pro Shock Tower for L-BBS shocks	SW-105011	M3x23mm Cap Screw
SW-330626	S350 Series Rear Pro Shock Tower for L-BBS shocks	SW-105005	M3x12mm Cap Screw
SW-330632	S350 Series S35 Competition Steering Plate	SW-105004	M2.6x6mm Cap Screw
SW-330633	S350 BBS System +5.6mm Shock Body L (HD)	SW-105001	M3x8mm Cap Screw
SW-330634	S350 BBS System +5mm Shock Body S (HD)	SW-104011	M4x4mm Set Screw (Flat Bottom)
SW-330635	S350 New BBS System +5.5mm Shock Shaft (L)	SW-104007	M4x8mm Set Screw
SW-330636	S350 New BBS System +1.3mm Shock Shaft (S)	SW-104005	M3x4mm Set Screw
SWC-330645	S350 BBD Aluminum Center Diff Case	SW-104004	M3x3mm Set Screw
SWC-330646	S350 BBD Aluminum Center Diff Case Cover	SW-104001	M5x4mm Set Screw
SWC-330647	S350 BBD Special Brake Cam	SW-103004	M2.5mm Nut Lock
SW-330651L	S350 Series S35 Competition Aluminum Rear Hub Carry (L)	SW-103001	M3 Nut Lock
SW-330651R	S350 Series S35 Competition Aluminum Rear Hub Carry (R)	SW-105007A	M4x8mm I-Head Screw
SW-330670	S35 Competition Aluminum Rear Changeable Lower Arm Holder (3.0D)	SW-103003A	Flange M3 Nut Lock (GM)
SW-420011	Fuel Tube 300mm	SW-101020A	3mm Countersunk Washers (RD)
SW-420010	Antenna Cup	SW-101010A	M3 Countersunk Washer(GM)
SW-410024	Switch Cover	SW-101021	M3x8xT0.8mm
SW-410023	Air Filter Adapter	SW-101019	SHIM 6.0x10.0x0.2mm
SWC-410051	S350 BBD Aluminum Center Diff Case O-ring	SW-101018	SHIM 8.0x10.0x0.1mm
SW-400022	S350 New BBS System Shock Bladder (Medium)	SW-101016	M5x8xT0.8mm
SW-400020	S350 New BBS System Shock Seal O-Ring	SW-101015	M5x8xT0.4mm
SW-400019	S350 New BBS System Shock Spring Adjust Nut O-Ring	SW-101014	M3 Pivot Ball Bushing
SW-400010	Shock Boot (S)	SW-101013	3mm Spring Washer
SW-400009	Shock Boot (L)	SW-101011	M2.6x6xT0.6mm
SW-400006	shock seal O-Ring	SW-101004	Washer 3.5X10X0.2mm
SW-400005	Shock Spring Adjust Nut O-Ring		
SW-400002	O-ring S5 4.8X1.5		
SW-250041	S350 Falcon 2 Clean Body Shell Window Mask		
SW-250041	S350 EVO II Body Decal Sheet		
SW-610004	Air Filter Outer Foam		
SW-610004	Air Filter Foam		
SW-610002	Diff. Gasket (0.5T)		
SW-117003	Flange Ball Bearing 3x6x2.5mm		
SW-116016	Ball Bearing 5x11x4mm		
SW-116010	Ball Bearing 5x10x4mm		
SW-116006	Ball Bearing 8x16x5mm		
SW-116004	Ball Bearing 6x10x3mm		
SW-115106	S350 BBS Option Shock SpringA-1(75X1.4X6.5)		
SW-115108	S350 BBS Option Shock SpringB-1(90X1.4X7.5)		
SW-115019	Body Clip		
SW-210018	Brake Rod 60mm		
SW-210018	Throttle Rod Spring		
SW-210018	Throttle Rod 50mm		
SW-210018	Brake Spring		
SW-330140A	Pipe Spring		
SW-115010	Front Sway Ball 2.8mm		
SW-115009	Front Sway Ball 2.6mm		
SW-115008	Front Sway Ball 2.3mm		
SW-115007	Rear Sway Ball 3.0mm		
SW-115006	Rear Sway Ball 2.6mm		
SW-115005	Rear Sway Ball 2.8mm		
SW-330114	Servo Saver Spring		
SW-115003	Tomado Clutch Spring		
SW-108022	M3x25mm FH/ST HEX Screw		
SW-108015	M3x16mm FH/ST HEX Screw		
SW-108014	M3x3mm FH/ST HEX Screw		
SW-108013	M4x8mm FH/ST HEX Screw		
SW-108012	M4x16mm FH/ST HEX Screw		
SW-108011	M4x12mm FH/ST HEX Screw		
SW-108010	M4x10mm FH/ST HEX Screw		
SW-108009	M3x20mm FH/ST HEX Screw		
SW-108008	M3x35mm FH/ST HEX Screw		
SW-108007	M3x6mm FH/ST HEX Screw		

Option Part List

Item No.	Part Name
SW-115026	S-WORKz Tornado Clutch Spring(1.1mm)(BK)
SW-115027	S-WORKz Tornado Clutch Spring(1.2mm)(SL)
SW-115077	Tornado Clutch Spring(0.9mm)(GR)
SW-116006A	High Performance Rubber Cover Ball Bearing 8x16x5mm (10pc)
SW-116009	Ball Bearing M5x8x2.5 ZZ (4PC)
SW-116010B	High Performance Ball Bearing 5x10x4mm(coffee)(4pc)
SW-116012A	High Performance Rubber Cover Ball Bearing 15x21x4mm (8pc)
SW-210053	S350 Series LDS Cross Drive Shaft Conversion Package
SW-210055	S350 Series LDS Drive Gear Conversion Package
SW-210060	S350 New BBS System Shock Spring Set (Medium)(Yellow)
SW-210061	S350 New BBS System Shock Spring Set (Hard)(Gray)
SWC-210055	S350 Series Competition LDS Drive Gear Conversion Package
SWC-210069	S350 series BBD Competition Large Center Diff. system
SW-2501093BH	S350 EVO I/II BBS Front Lower Arm Set (Hard)
SW-2501094CH	S350 Series S35 Competition Rear Lower Arm Set (Hard)
SW-2501113AH	S350 Series Front Upper Arm Hard Set (L&R)
SW-2501126A	S350/S350T Series Option Air Filter Extension Set
SW-330090	Center Diff. Plate
SW-330115	Steering Knuckle Pivot Ball Turnbuckle
SW-330116	14mm Knuckle Pivot Ball
SW-330125A	S350 Series Aluminum Rear Upper Sus. Arm Ball Stud(4pc)
SW-330127B	S350 Series Aluminum Steering Linkage Ball Stud 7mm(L6)(4pc)
SW-330134A	S350 Series Aluminum Shock Ball Stud(4pc)
SW-330136A	S350 Series Aluminum Sway Bar Ball Stud(4pc)
SW-330138B	S350 Series Aluminum Shock Cap Stud (-1.3mm)(2PC)
SW-330152	Aluminum Rear Chassis Brace
SW-330153	Aluminum Front Chassis Brace
SW-330161	S-System Pinion Gear Holder
SW-330165	S350 45T SPUR GEAR
SW-330166	S350 SERIES 47T SPUR GEAR
SW-330202	S-WORKz Turbo Tornado Fly Wheel Set
SW-330204	S-WORKz Clutch Bell 14T
SW-330215	S350 Sries Aluminum Front Changeable Lower Arm Holder (GM)
SW-330216	S350 Series PSP Aluminum Receiver Box Cover
SW-330216G	S350 Series PSP Aluminum Receiver Box Cover(GM)
SW-330217	S350 Series PSP Aluminum Battery Box Cover
SW-330217G	S350 Series PSP Aluminum Battery Box Cover(GM)
SW-330243	SWORKz 3x18mm Shock Hex Screw Set (Anti-Clockwise)
SW-330266	S350 Series Aluminum Changable Rear Lower Arm Plate (FC USE)
SW-330398A	SWORKz S350 Series Pro Wheel Nut (GM)
SW-330420	S350 Series Knuckle Pivot Ball Balance Nut (5.5g) (2pc)
SW-330421	S350 Series Front Wheel Hub Balance Weight (10g)(L)
SW-330422	S350 Series Front Wheel Hub Balance Weight (10g)(R)
SW-330423A	S350 PSP System Aluminum Settring Bellcrank Upper (A 2H)
SW-330424	S350 Series Aluminum Wing Holder
SW-330424B	S350 Series Aluminum Wing Holder (BK)
SW-330424G	S350 Series Aluminum Wing Holder (GM)
SW-330474	S350 Series Rear Wheel Hub Balance Weight Lower (8g) (2pc)
SW-330475	S350 Series Rear Wheel Hub Balance Weight Lower (5g)(2pc)
SW-330499	S350 Series Rear Sway Bar 2.7mm
SW-330500	S350 Series Front Sway Bar 2.0mm
SW-330505	S350 Series Lightened Wheel Hub (L6.5mm)
SW-330506	S350 Series Lightened Wheel Hub (L5.0mm)
SW-330513	S350 Series Rear Aluminum Hub Carry BB Insert
SW-330564	S350 New BBS System Shock Piston 1.5mmX6 Holes(2pc)
SW-330568	S350 Buggy Series Aluminum Center Diff. Mount
SW-330639	S35 Competition Aluminum Rear Changeable Lower Arm Holder (2.5D)
SW-400021	S350 New BBS System Shock Bladder (Soft)(4pc)
SW-420026	S350/S350T Series Option Air Filter Extension Adapter
SW-510053	SWORKz Speed Logo Sticker (Standard)(BK) (2pc)
SW-510053-PBK	SWORKz Speed Logo Sticker (PushBar)(BK)(2pc)
SW-510053-PFO	SWORKz Speed Logo Sticker (PushBar)(FO)(2pc)
SW-510053-PFY	SWORKz Speed Logo Sticker (PushBar)(FY)(2pc)
SW-510053-PHA	SWORKz Speed Logo Sticker (PushBar)(Hara Edition)(2pc)
SW-510053-PWH	SWORKz Speed Logo Sticker (PushBar)(WH)(2pc)
SWC-330115A	S350 Series Competition Titanium Steering Knuckle Pivot Ball Turnbuckle

S350EVO11

1/8 Off Road Nitro Racing Buggy

LIMITED



SPEEDMASTER HOBBY CO., LTD.

TEL : +886-3-538-7638

FAX : +886-3-538-7328

No.42, Ruiguang., Xiangshan Dist.,
Hsinchu City 300, Taiwan (R.O.C.)

www.sworkz.com

www.sworkz-europe.com